

# Installation Guide



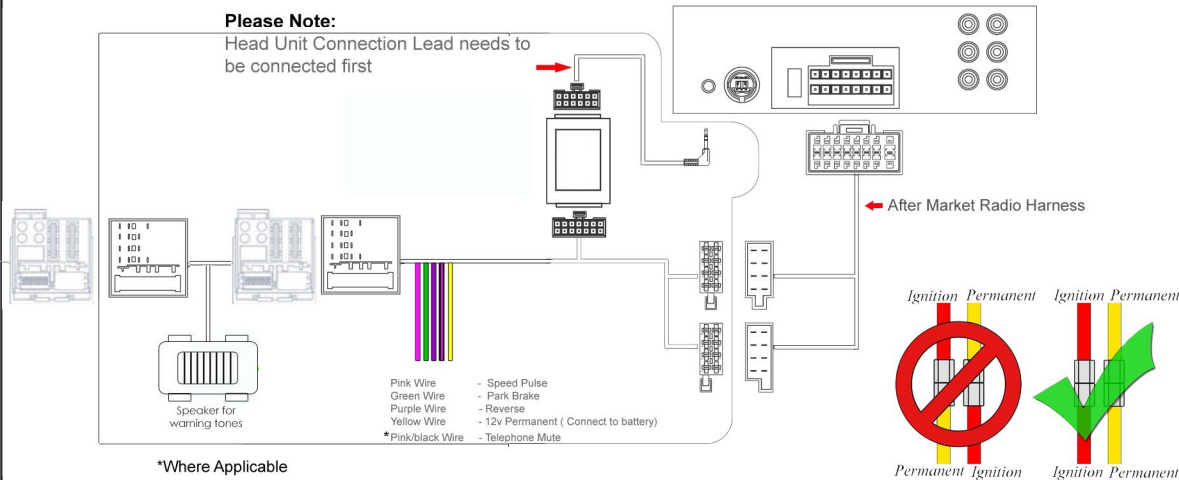
Part No: **KIT-7BM3A**

**BMW CAN-Bus Steering Wheel Control Interface  
with warning tone retention**

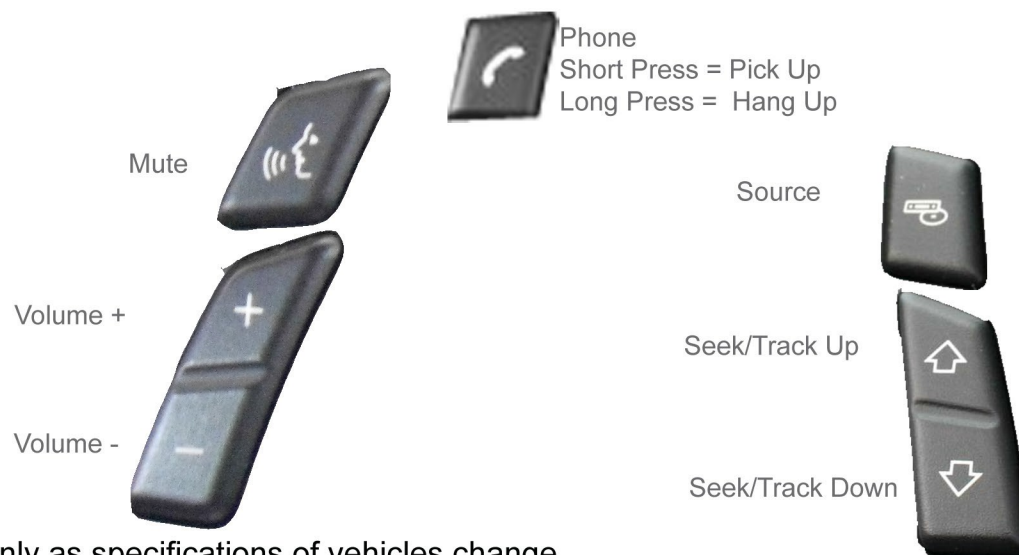
Vehicles with OEM  
BMW Professional  
head units.

3 Series E90 2006>

Vehicles with Automatic  
Climate Control Only



## Steering Wheel Control Functions



\* Note All Dates are guide lines only as specifications of vehicles change

# Installation Guide

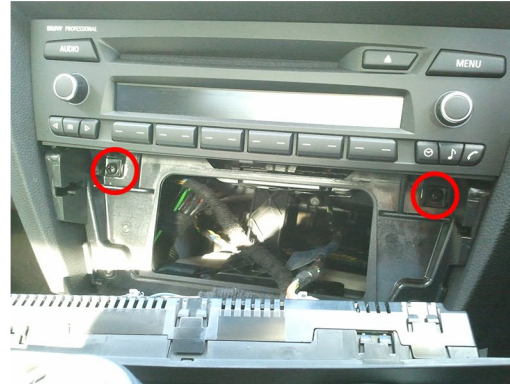


Part No: **KIT-7BM3A**

**BMW CAN-Bus Steering Wheel Control Interface  
with warning tone retention**



1. Remove the climate control panel using a panel removal tool. Disconnect all cables.



2. Unscrew the two screws holding the OEM radio in place. Slide the radio forward and disconnect.



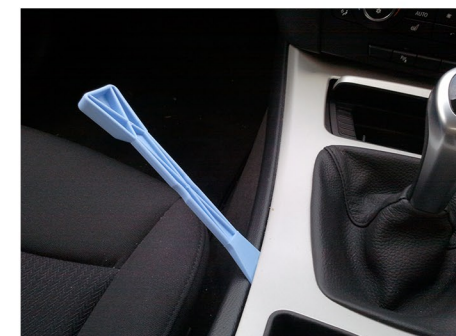
3. Unscrew the plastic sub-dash cage and remove from the dash.



6. Screw the supplied metal brackets to the side of the Alpine head unit. The mounting depth can be adjusted accordingly via the mounting holes.



7. Make all wiring connections to the Alpine head unit.(see overleaf). Mount the head unit into the dash and screw into place at positions highlighted in red.



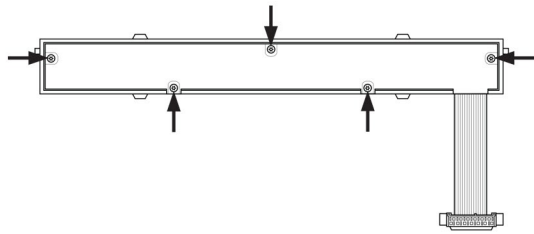
8. Remove the plastic trim around the ashtray and gaiter. Unscrew the ashtray pocket and remove.

# Installation Guide

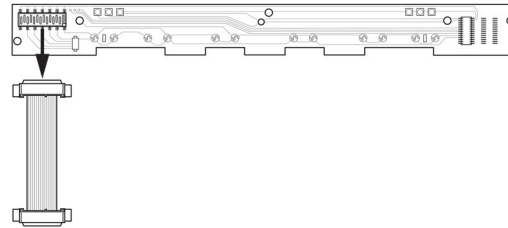


Part No: **KIT-7BM3A**

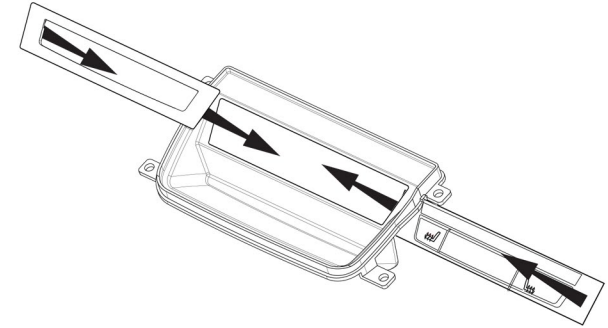
**BMW CAN-Bus Steering Wheel Control Interface  
with warning tone retention**



9. Disconnect the heated seat button panel from the OEM climate panel bezel. Undo the 5 torx screws securing the back cover of the button assembly.



10. Remove the circuit board and unplug the factory harness. Plug in the supplied ribbon cable.



11. Clip the heated seat button circuit board into the supplied ashtray and route the ribbon cable up the the climate control panel and connect.



12. Screw the ashtray into place and replace the OEM plastic trim removed in step 8.



13. Clip the supplied fascia and climate control assembly into place over the top of the Alpine head unit.