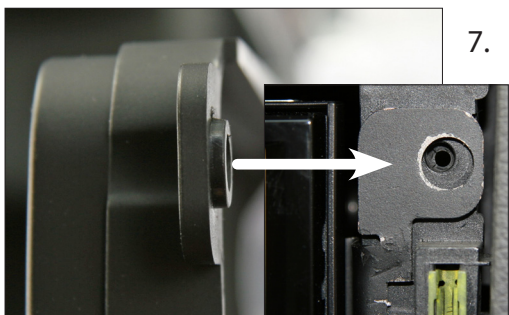


5. **If necessary** : Rasp hexagonal pocket to AF44 in order to use hexagonal bar AF43,6



6. Connect all required circuit points
Push Alpine INE-W928R into dash board.

Golf VI only: Fix screws on top



7. Place fascia plate

Put dome of fascia plate exactly over the holes of mounting frames (see arrow)

Fix fascia plate with 4 screws



8. Place OEM panel over fascia plate to finish installation.



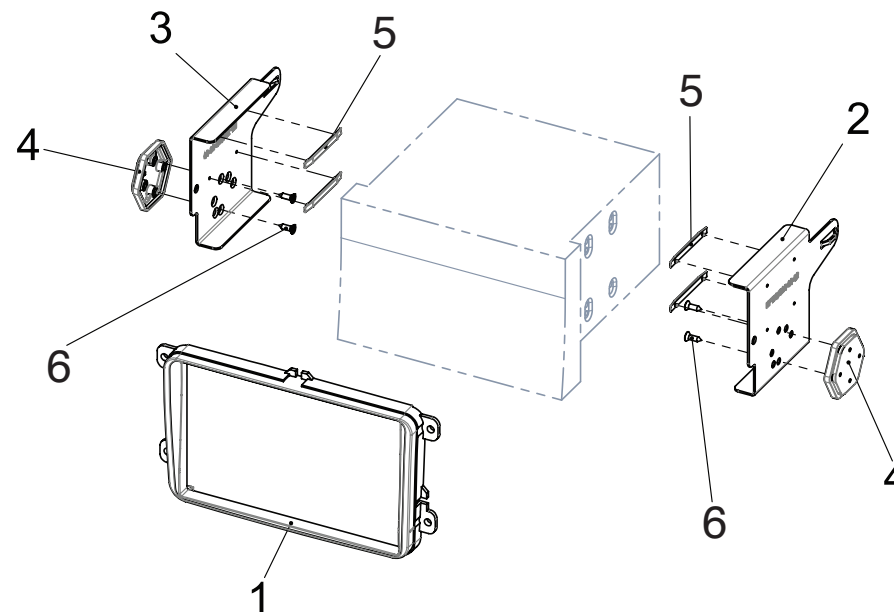
Installation Manual INE-W928R Kit

colour: black

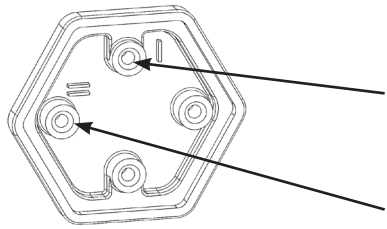
- | | | |
|-------------------|-------------------------|-----------|
| • VW Eos | • VW Passat / Passat CC | part-no.: |
| • VW Golf V / VI | • VW Polo 6R | KIT-8VW |
| • VW Jetta V / VI | • VW Scirocco | KIT-8VWD |

Compatible with these Alpine navigation devices

INE-W928R



- | | |
|------------------------------|---|
| • (1) fascia plate | • (4) hexagonal bar (AF43,6) / (AF37,2) |
| • (2) mounting bracket right | • (5) slider |
| • (3) mounting bracket left | • (6) countersunk flat head tapping screw |

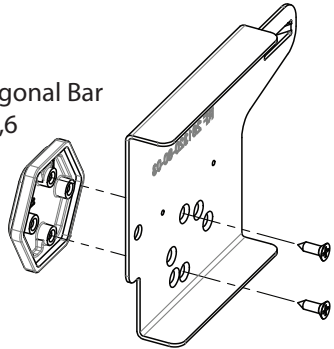


Hexagonal Bar

standard unit position :
screw position I

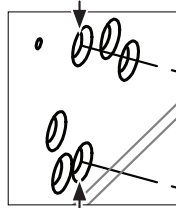
alternative unit position :
screw position II

Hexagonal Bar
AF43,6

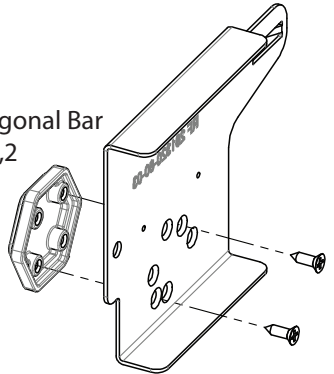


5.

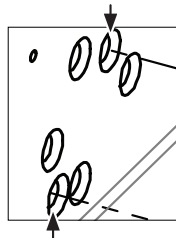
VW Golf V
VW Golf VI
VW Jetta V
VW Jetta VI
VW Passat



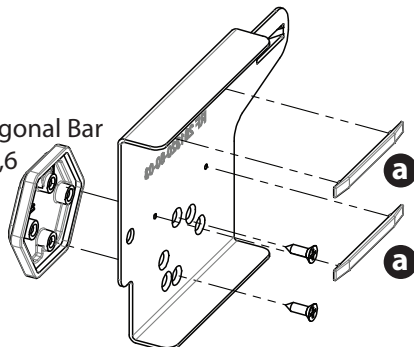
Hexagonal Bar
AF37,2



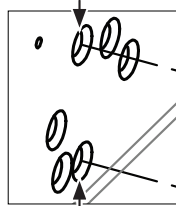
VW Polo 6R



Hexagonal Bar
AF43,6



VW Eos
VW Scirocco



fix sliders (a) with glue

All installation work must be performed by a qualified professional installer only.
The manufacturer / dealer is not liable for any kind of incidental or indirect damages.



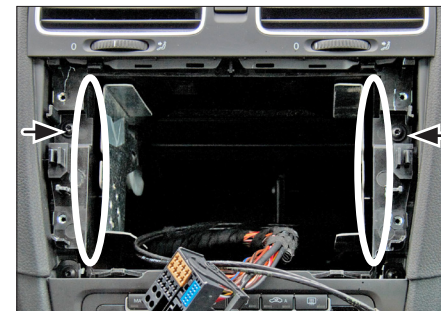
1. Unclip and remove OEM panel



2. Remove 4 screws of OEM head unit



3. Remove OEM head unit



4. Put mounting frames in dash board.
Golf VI only: Release screws on top (see arrows) in order to clear space for Alpine INE-W928R
If necessary: Cut away plastic to clear space for Alpine INE-W928R