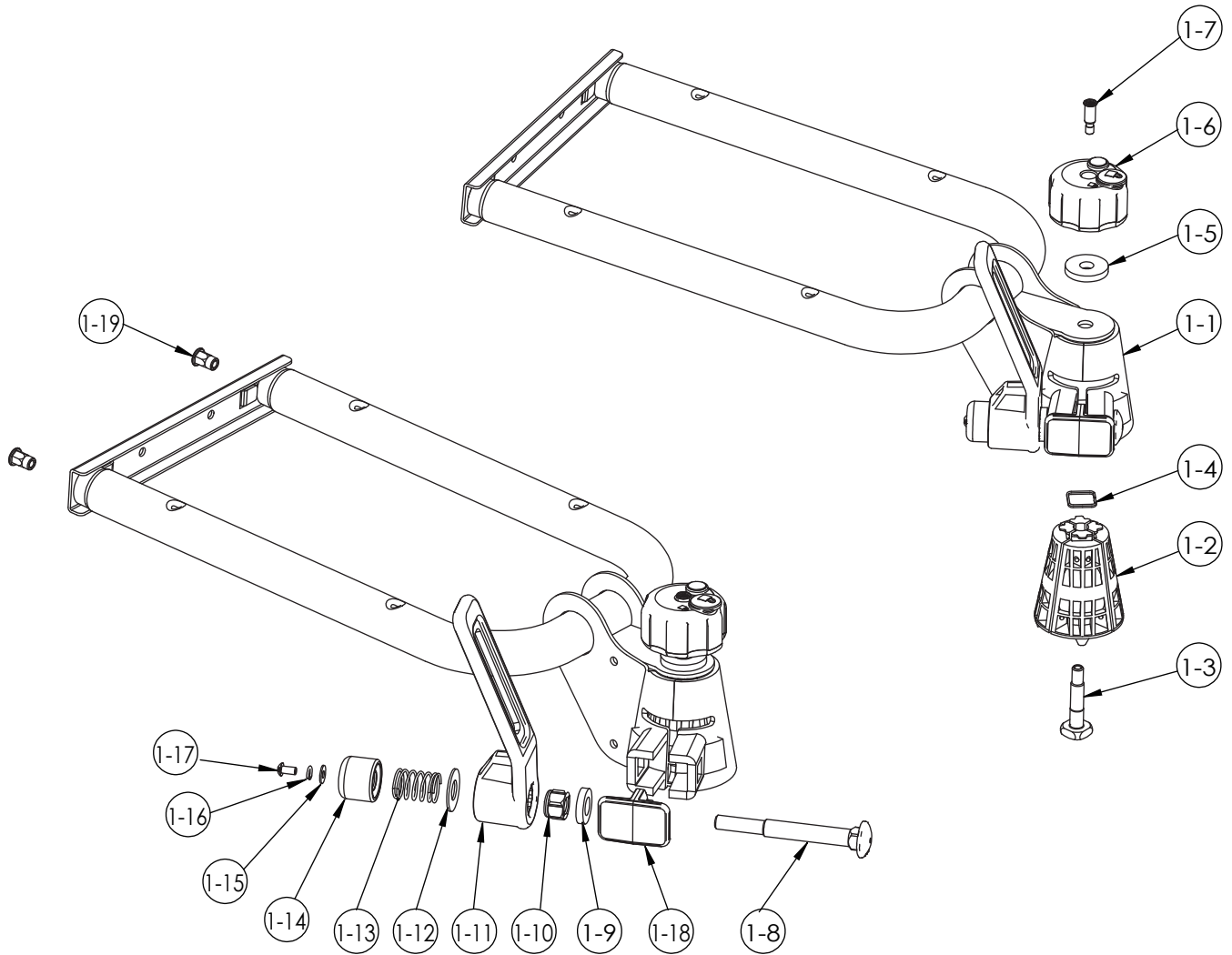


PART	DESCRIPTION	PART NUMBER	QTY.	PACK SIZE	PART	DESCRIPTION	PART NUMBER	QTY.	PACK SIZE
1	Foot assembly		1		21				
2	Platform assembly		1		22				
3	Bottom head screw M6x65mm	140-1106-029-04D	4		23				
4	Plastic washer	130-00445-01C	4		24				
5	Washer	142-1065-003-04D	4		25				
6	Nylock nut	141-0106-001-04D	4		26				
7	Wheel support assembly		4		27				
8	Light assembly	3505-00055-99C	1		28				
9	Washer	142-1065-003-04D	2		29				
10	Spring washer	142-2006-001-04D	2		30				
11	Bottom head screw M6x25mm	140-1106-005-04D	2		31				
12	Key	147-01905-99D	1		32				
13	Safety strap	3522-00072-03C	1		33				
14	T-wrench	132-00022-05C	1		34				
15	Allen key	144-00004-06D	1		35				
16					36				
17					37				
18					38				
19					39				
20					40				



PART	DESCRIPTION	PART NUMBER	QTY.	PACK SIZE	PART	DESCRIPTION	PART NUMBER	QTY.	PACK SIZE
1-1	Conic Foot Assembly		1						
1-2	Conical clamps	118-00146-00	4						
1-3	Square screw	140-0510-002-04D	1						
1-4	Square spring	145-00055-13D	1						
1-5	Washer	142-1105-003-04D	1						
1-6	Locking knob	3503-00127-99C	1						
1-7	Retainer	3509-00332-99C	1						
1-8	Carriage bolt M12	140-0112-008-04D	1						
1-9	Washer	142-1130-005-04D	1						
1-10	Nylock nut	141-0112-003-04D	1						
1-11	Wrench	3209-00369-16C	1						
1-12	Washer	142-1141-001-04D	1						
1-13	Spring	145-00034-13D	1						
1-14	Bushing	130-00728-01C	1						
1-15	Washer	142-1053-001-04D	1						
1-16	Spring washer	142-2005-001-04D	1						
1-17	Button head screw	140-1105-004-04D	1						
1-18	Conic protector	130-00609-01C	1						
1-19	Rivet nut	141-0606-001-19D	2						
1-20									

