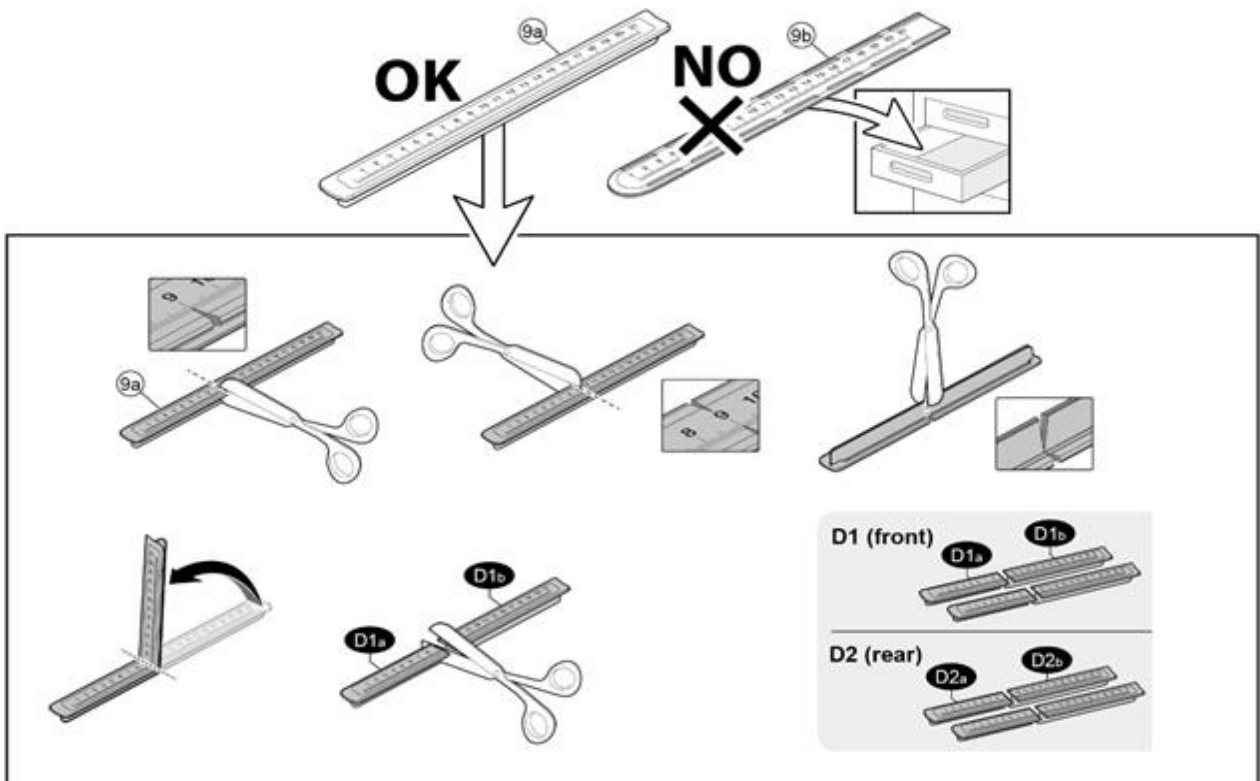


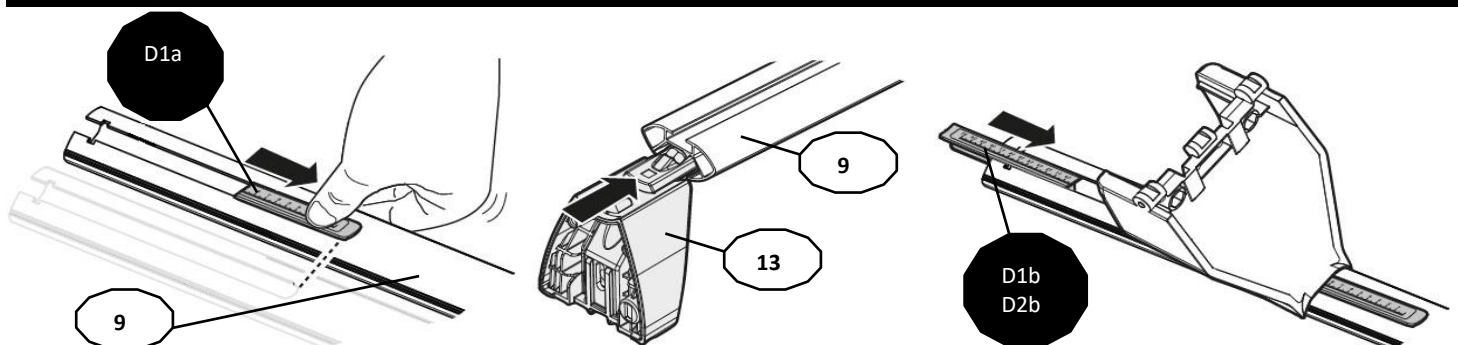
FIXING KIT DELTA

1



MANUFACTURER	MODEL CAR	DOORS	MODEL YEAR	D1	D2
RENAULT	Twingo II	3	07>13	10,1	10,1

2



Front

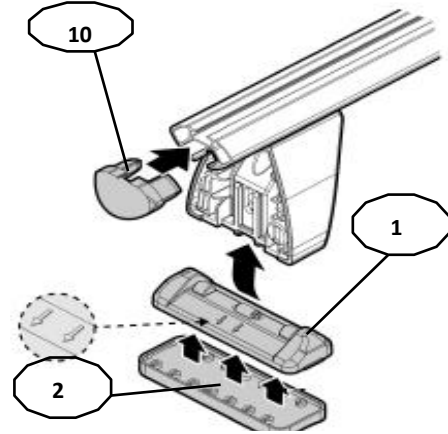
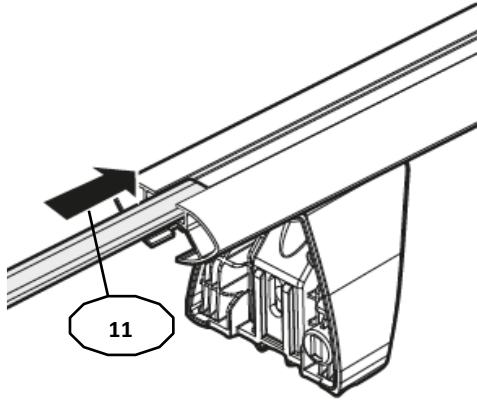


Rear

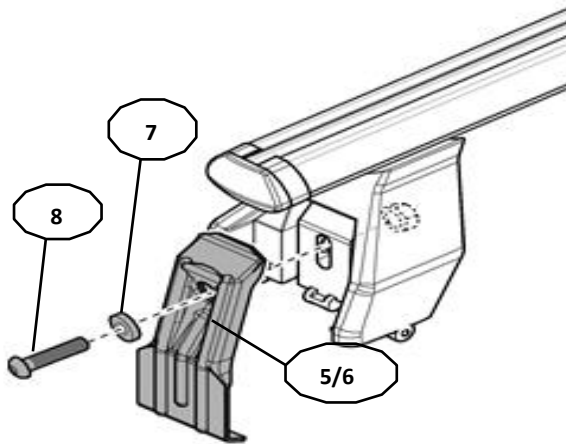


3

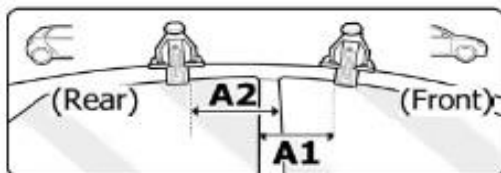
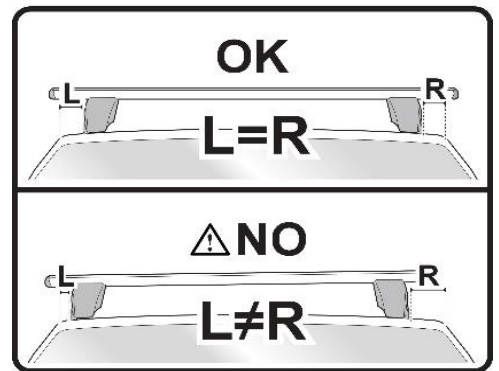
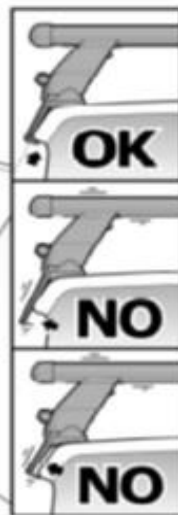
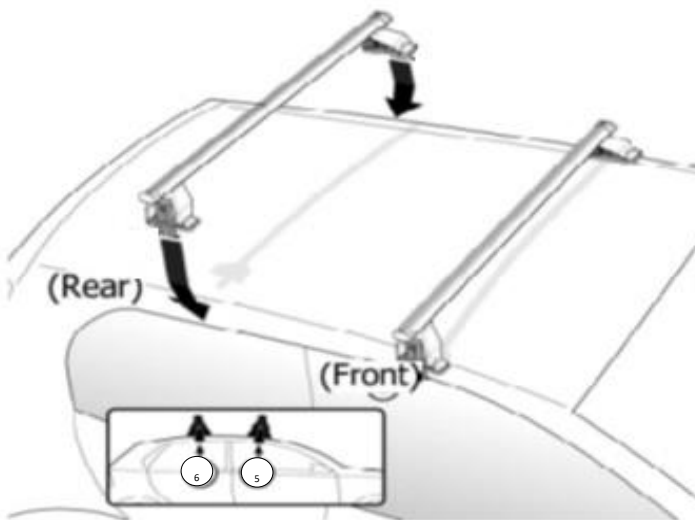
x4



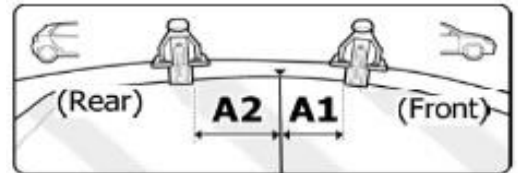
4



Front	Rear
5	6
24	9R
2X	2X



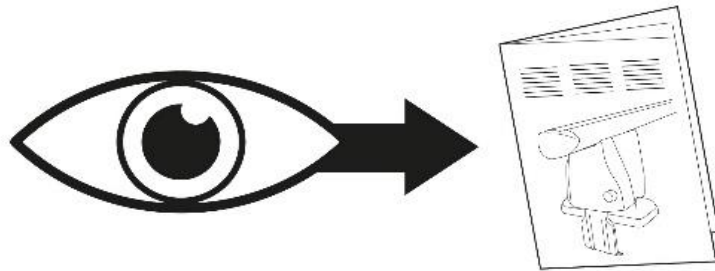
OR



MANUFACTURER	MODEL CAR	DOORS	MODEL YEAR	A1	A2	A1	A2
				cm	cm	in	in
RENAULT	Twingo II	3	07>13	X	33	X	13,0

X = predisposizione originale /original arrangement

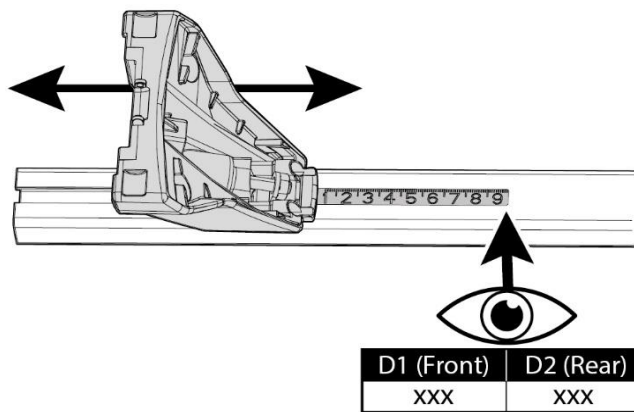
5



MANUAL DELTA

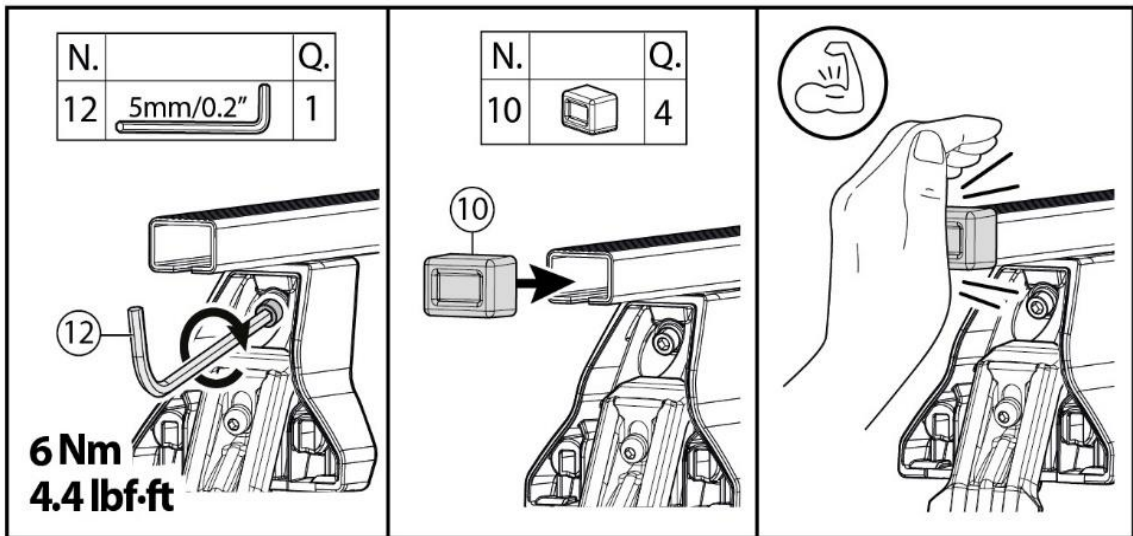
FIXING KIT OMEGA

2

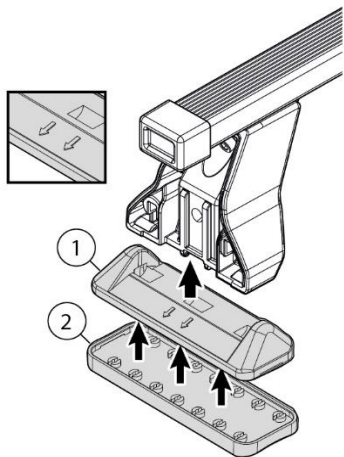


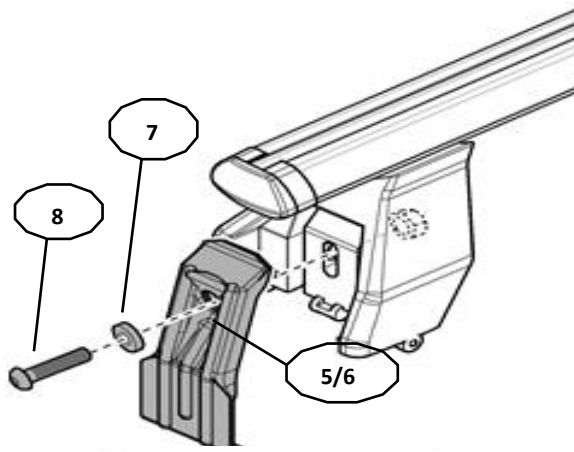
MANUFACTURER	MODEL CAR	DOORS	MODEL YEAR	D1	D2
RENAULT	Twingo II	3	07>13	10,1	10,1

3

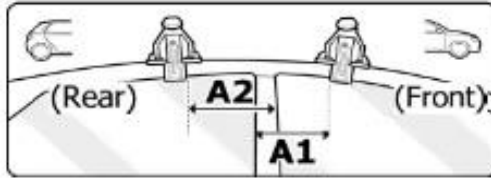
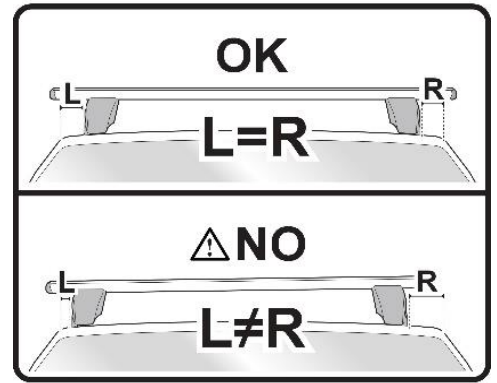
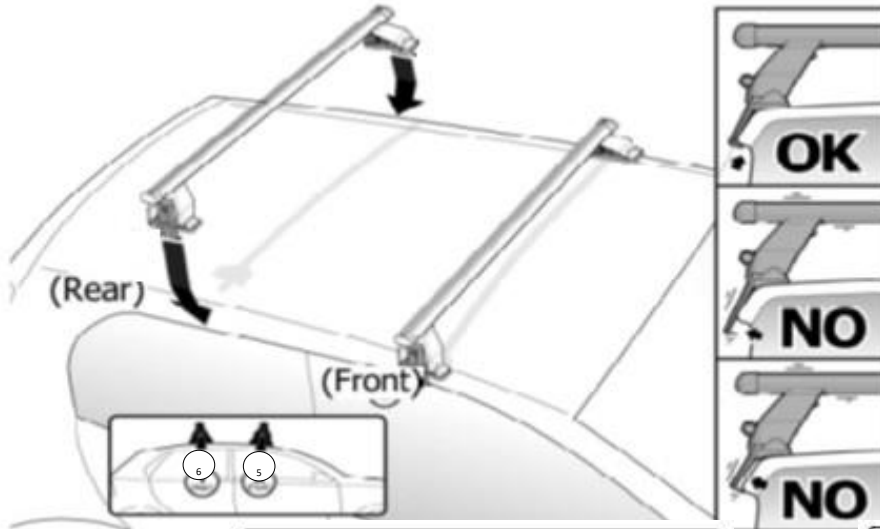


4

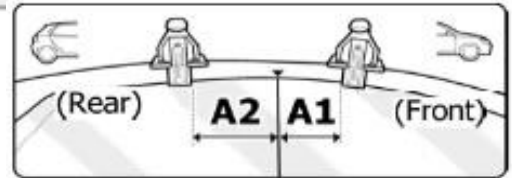




Front 5	Rear 6
24 2X	9R 2X

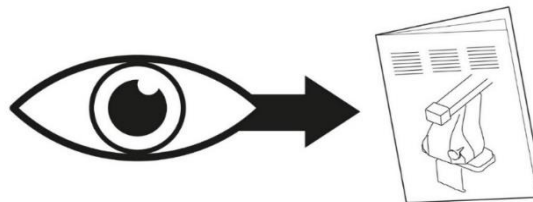


OR



MANUFACTURER	MODEL CAR	DOORS	MODEL YEAR	A1	A2	A1	A2
				cm	cm	in	in
RENAULT	Twingo II	3	07>13	X	33	X	13,0

X = predisposizione originale /original arrangement



MANUAL OMEGA

NOTE:
