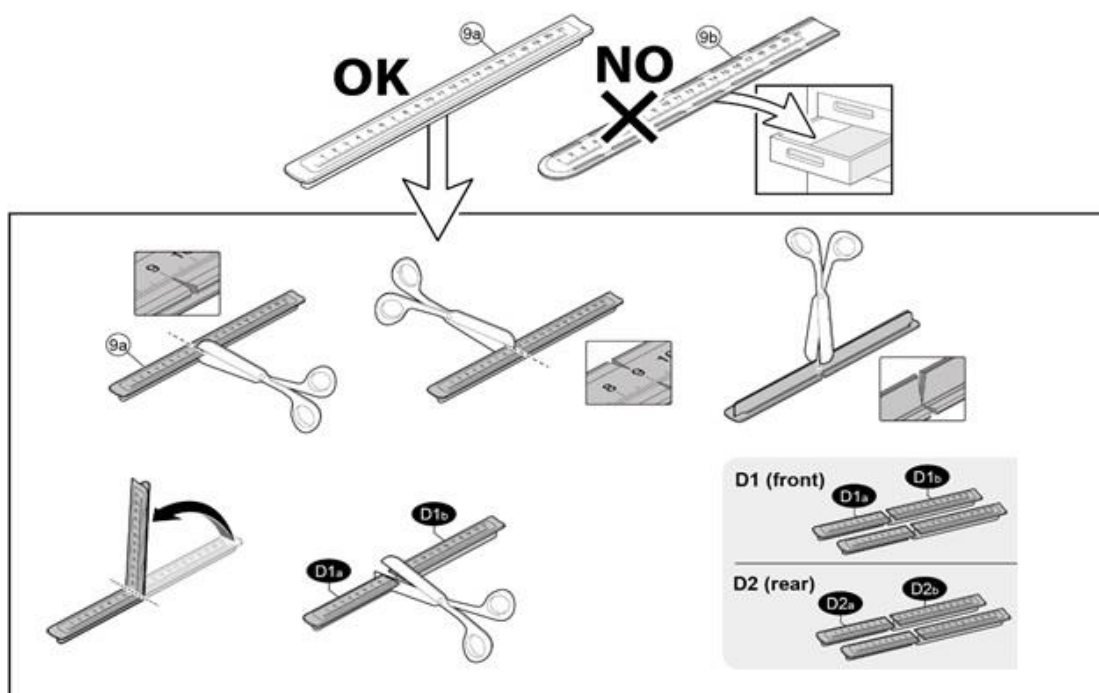
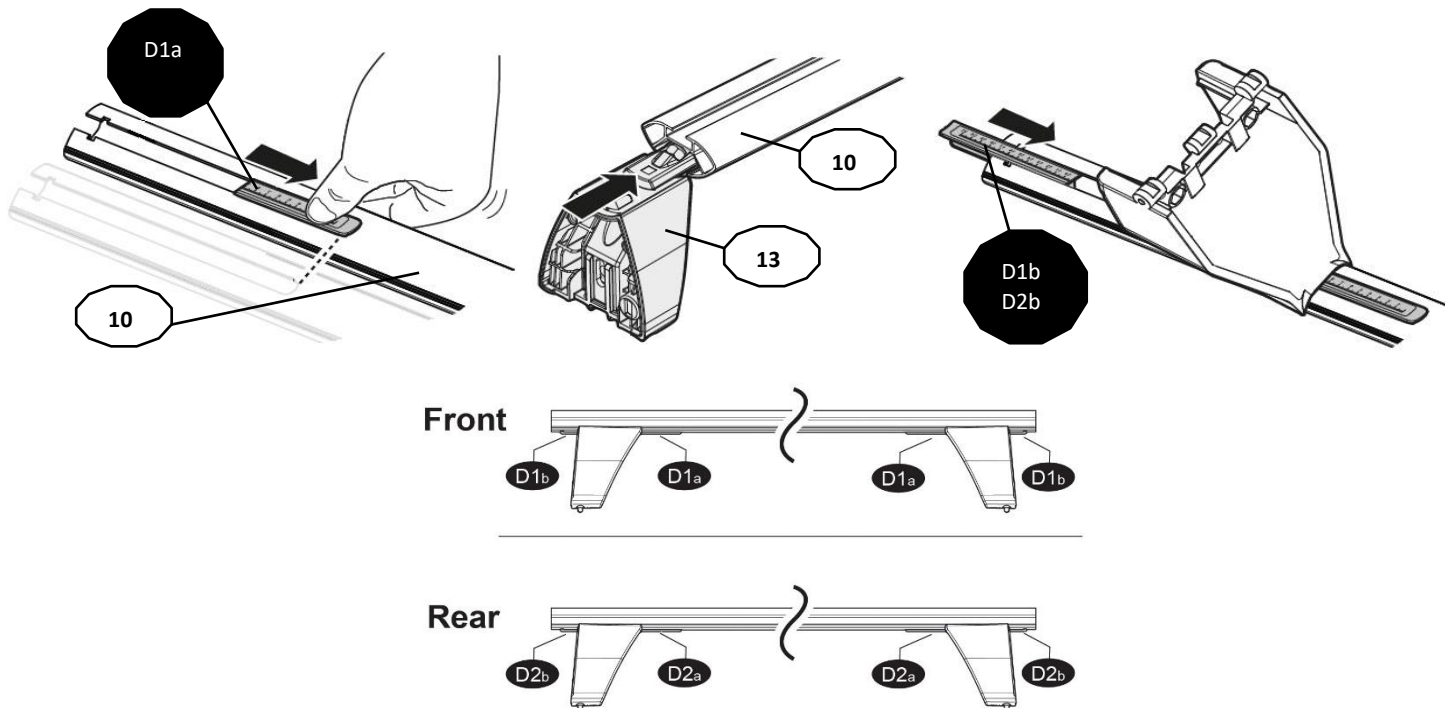


## FIXING KIT DELTA

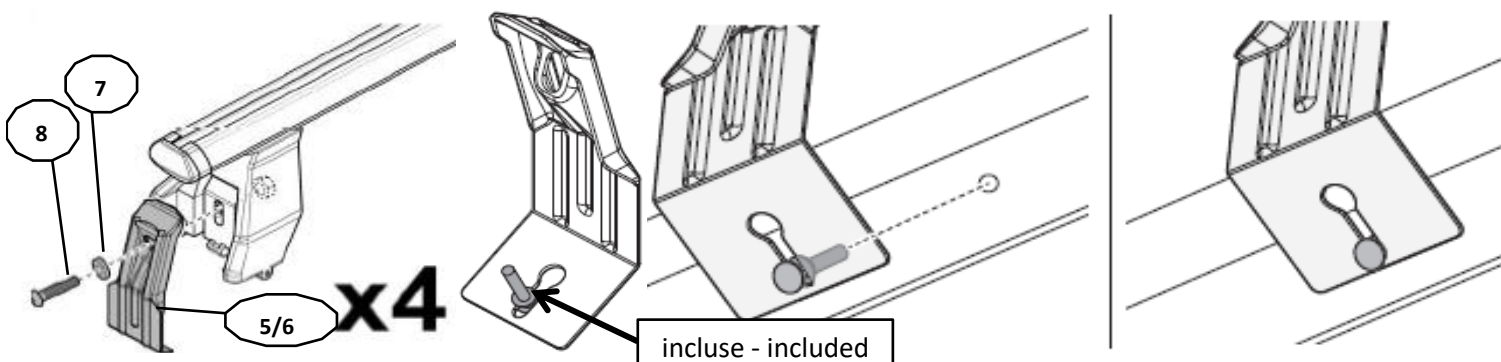
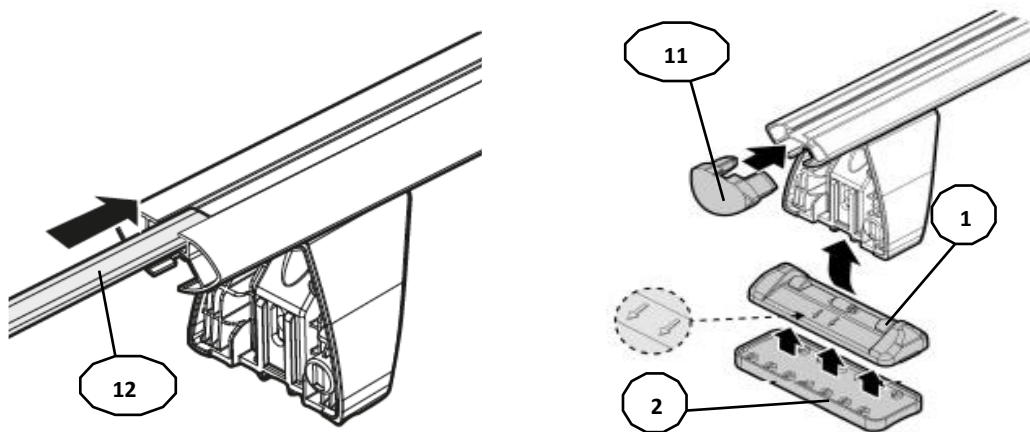
**1**



| MANUFACTURER    | MODEL CAR             | DOORS | MODEL YEAR | D1  | D2  |
|-----------------|-----------------------|-------|------------|-----|-----|
| AUDI            | A6 (4A/C8)            | 4     | 18>        | 4,7 | 5,5 |
| AUDI            | Q2 (GA)               | 5     | 16>        | 6,2 | 3,6 |
| CITROEN         | C3 (Mk3) Aircross     | 5     | 17>        | 8,2 | 5,2 |
| OPEL / VAUXHALL | Astra (K)             | 5     | 16>21      | 5,9 | 4,7 |
| OPEL / VAUXHALL | Crossland             | 5     | 20>        | 6,4 | 7,0 |
| OPEL / VAUXHALL | Crossland X           | 5     | 17>20      | 6,4 | 7,0 |
| RENAULT         | Megane IV             | 5     | 16>        | 6,9 | 6,7 |
| VOLVO           | S60                   | 4     | 10>18      | 6,8 | 9,2 |
| VOLVO           | S80                   | 4     | 06>16      | 9,3 | 7,1 |
| VOLVO           | V40                   | 5     | 12>16      | 5,2 | 1,8 |
| VOLVO           | V40                   | 5     | 16>        | 5,3 | 1,6 |
| VOLVO           | V60/V60 Cross Country | 5     | 11>18      | 6,8 | 6,8 |
| VOLVO           | V70                   | 5     | 07>16      | 7,8 | 6,3 |

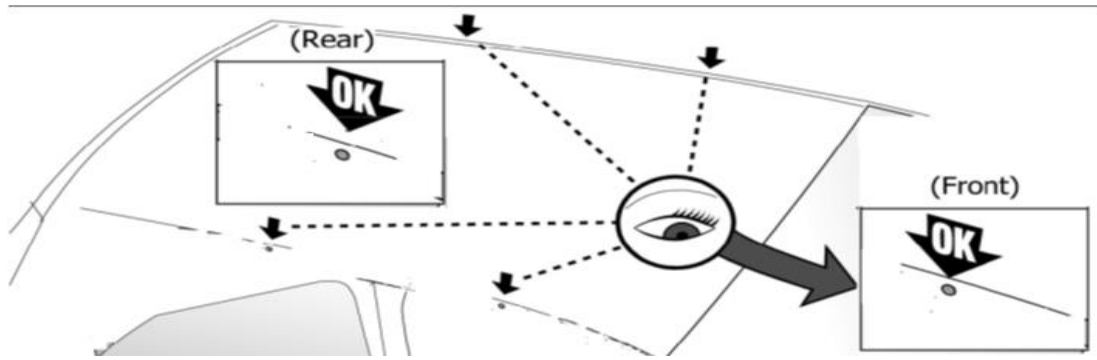


x4

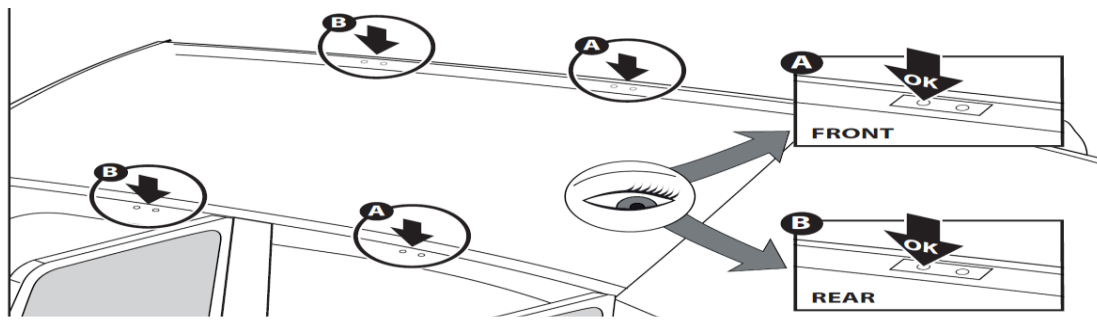


| MANUFACTURER    | MODEL CAR             | DOORS | MODEL YEAR |
|-----------------|-----------------------|-------|------------|
| AUDI            | A6 (4A/C8)            | 4     | 18>        |
| AUDI            | Q2 (GA)               | 5     | 16>        |
| CITROEN         | C3 (Mk3) Aircross     | 5     | 17>        |
| OPEL / VAUXHALL | Astra (K)             | 5     | 16>21      |
| OPEL / VAUXHALL | Crossland             | 5     | 20>        |
| OPEL / VAUXHALL | Crossland X           | 5     | 17>20      |
| RENAULT         | Megane IV             | 5     | 16>        |
| VOLVO           | S60                   | 4     | 10>18      |
| VOLVO           | S80                   | 4     | 06>16      |
| VOLVO           | V40                   | 5     | 12>16      |
| VOLVO           | V40                   | 5     | 16>        |
| VOLVO           | V60/V60 Cross Country | 5     | 11>18      |

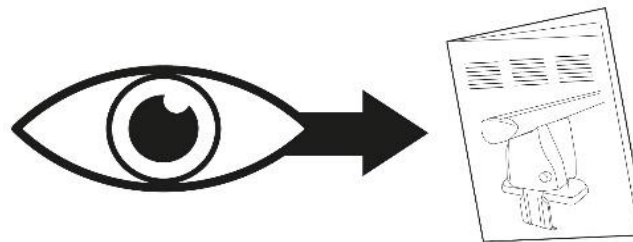
| Front | Rear |
|-------|------|
| 5     | 6    |
|       |      |
| 37    | 37R  |
| 2x    | 2x   |



| MANUFACTURER | MODEL CAR | DOORS | MODEL YEAR |
|--------------|-----------|-------|------------|
| VOLVO        | V70       | 5     | 07>16      |



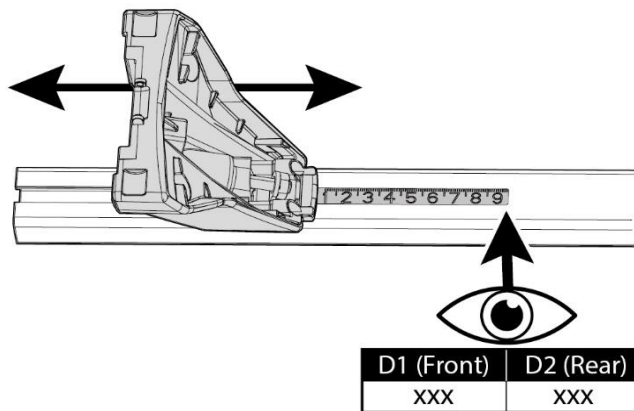
**5**



**MANUAL DELTA**

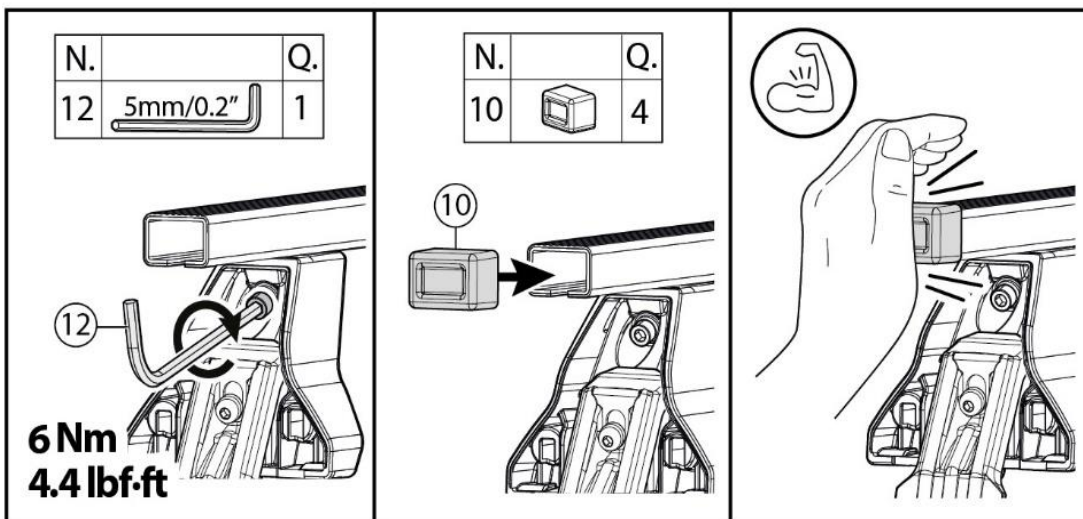
# FIXING KIT OMEGA

2

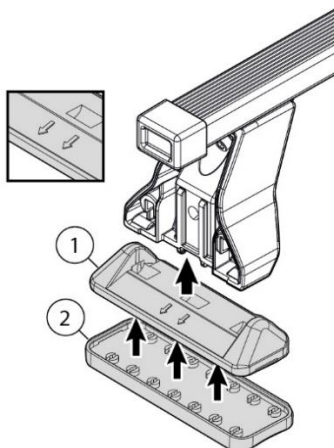


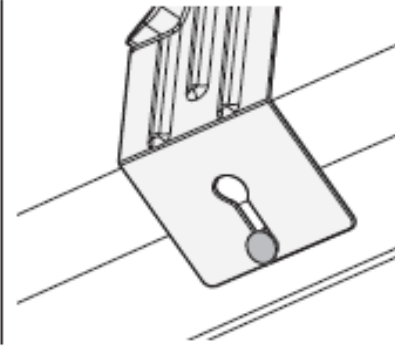
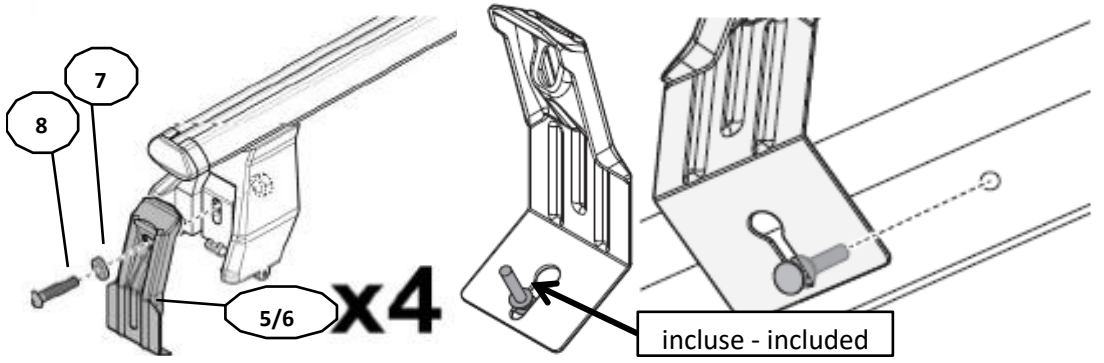
| MANUFACTURER    | MODEL CAR             | DOORS | MODEL YEAR | D1  | D2  |
|-----------------|-----------------------|-------|------------|-----|-----|
| AUDI            | A6 (4A/C8)            | 4     | 18>        | 4,7 | 5,5 |
| AUDI            | Q2 (GA)               | 5     | 16>        | 6,2 | 3,6 |
| CITROEN         | C3 (Mk3) Aircross     | 5     | 17>        | 8,2 | 5,2 |
| OPEL / VAUXHALL | Astra (K)             | 5     | 16>21      | 5,9 | 4,7 |
| OPEL / VAUXHALL | Crossland             | 5     | 20>        | 6,4 | 7,0 |
| OPEL / VAUXHALL | Crossland X           | 5     | 17>20      | 6,4 | 7,0 |
| RENAULT         | Megane IV             | 5     | 16>        | 6,9 | 6,7 |
| VOLVO           | S60                   | 4     | 10>18      | 6,8 | 9,2 |
| VOLVO           | S80                   | 4     | 06>16      | 9,3 | 7,1 |
| VOLVO           | V40                   | 5     | 12>16      | 5,2 | 1,8 |
| VOLVO           | V40                   | 5     | 16>        | 5,3 | 1,6 |
| VOLVO           | V60/V60 Cross Country | 5     | 11>18      | 6,8 | 6,8 |
| VOLVO           | V70                   | 5     | 07>16      | 7,8 | 6,3 |

3



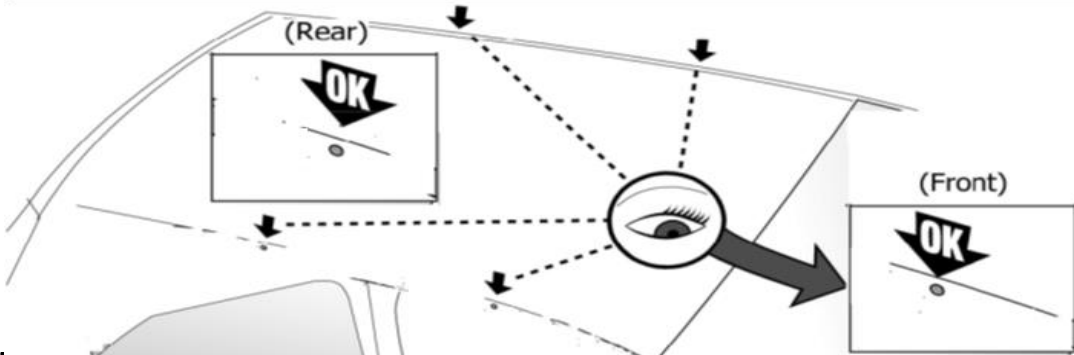
4



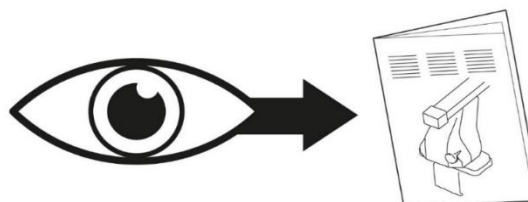
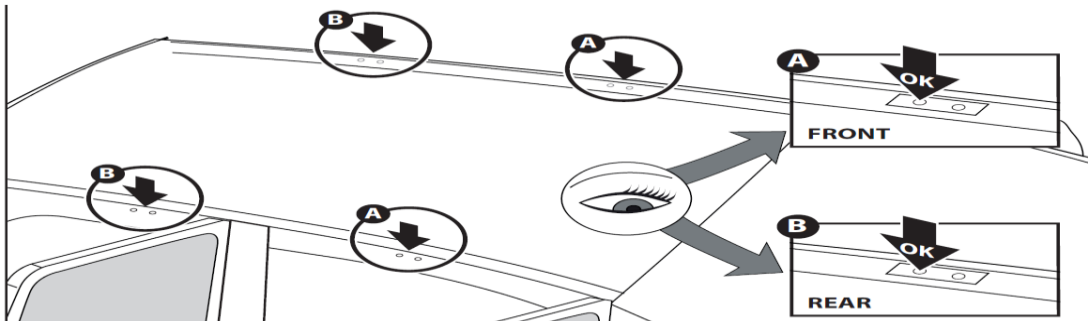


| MANUFACTURER    | MODEL CAR             | DOORS | MODEL YEAR |
|-----------------|-----------------------|-------|------------|
| AUDI            | A6 (4A/C8)            | 4     | 18>        |
| AUDI            | Q2 (GA)               | 5     | 16>        |
| CITROEN         | C3 (Mk3) Aircross     | 5     | 17>        |
| OPEL / VAUXHALL | Astra (K)             | 5     | 16>21      |
| OPEL / VAUXHALL | Crossland             | 5     | 20>        |
| OPEL / VAUXHALL | Crossland X           | 5     | 17>20      |
| RENAULT         | Megane IV             | 5     | 16>        |
| VOLVO           | S60                   | 4     | 10>18      |
| VOLVO           | S80                   | 4     | 06>16      |
| VOLVO           | V40                   | 5     | 12>16      |
| VOLVO           | V40                   | 5     | 16>        |
| VOLVO           | V60/V60 Cross Country | 5     | 11>18      |

| Front | Rear |
|-------|------|
| 5     | 6    |
|       |      |
| 37    | 37R  |
| 2x    | 2x   |



| MANUFACTURER | MODEL CAR | DOORS | MODEL YEAR |
|--------------|-----------|-------|------------|
| VOLVO        | V70       | 5     | 07>16      |



MANUAL OMEGA

NOTE:

---

---

---

---