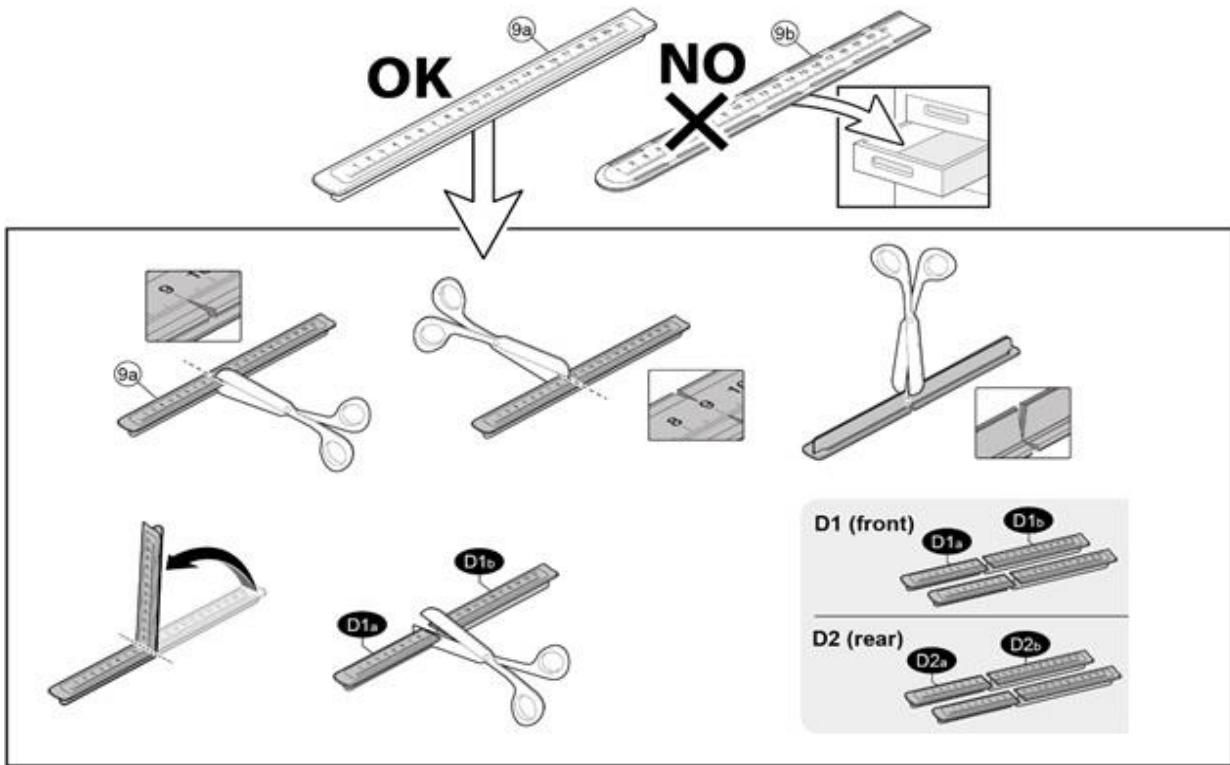


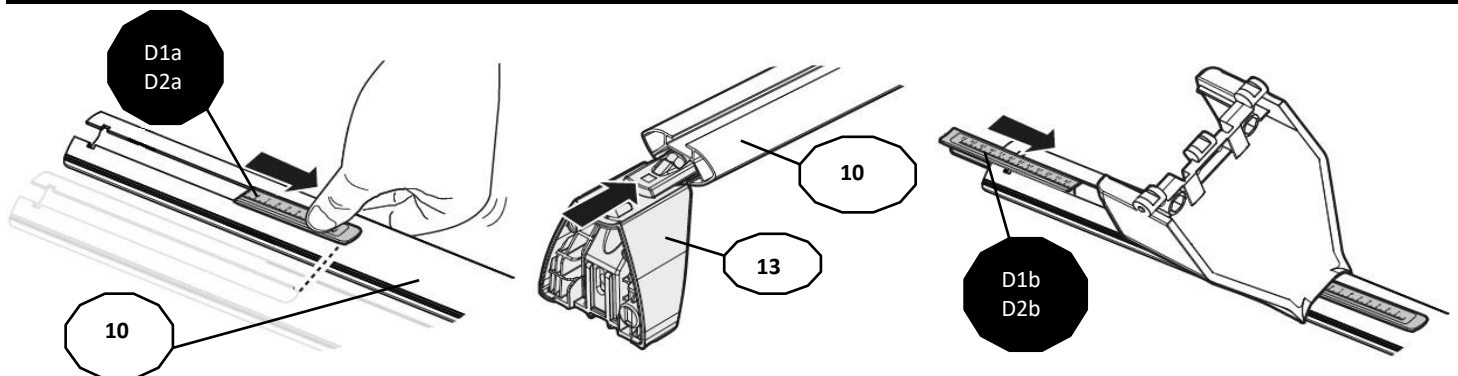
## FIXING KIT DELTA

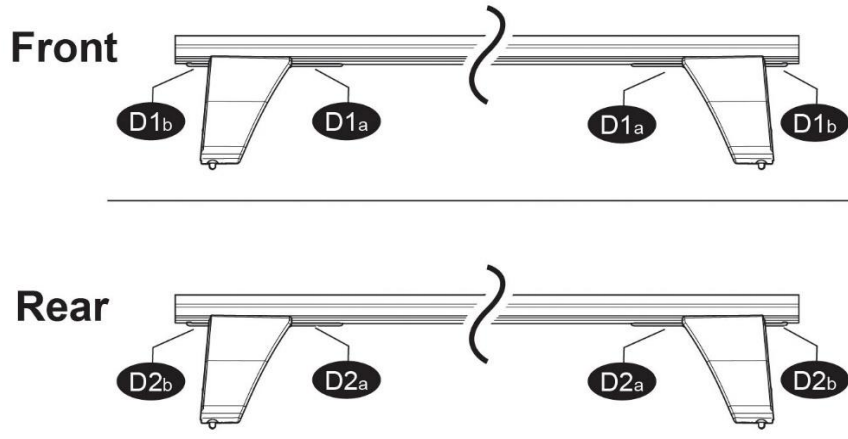
**1**



MANUFACTURER	MODEL CAR	DOORS	MODEL YEAR	D1	D2
CADILLAC	XT5	5	17>	6,8	6,1
SEAT	Mii	5	12>21	7,4	6,0

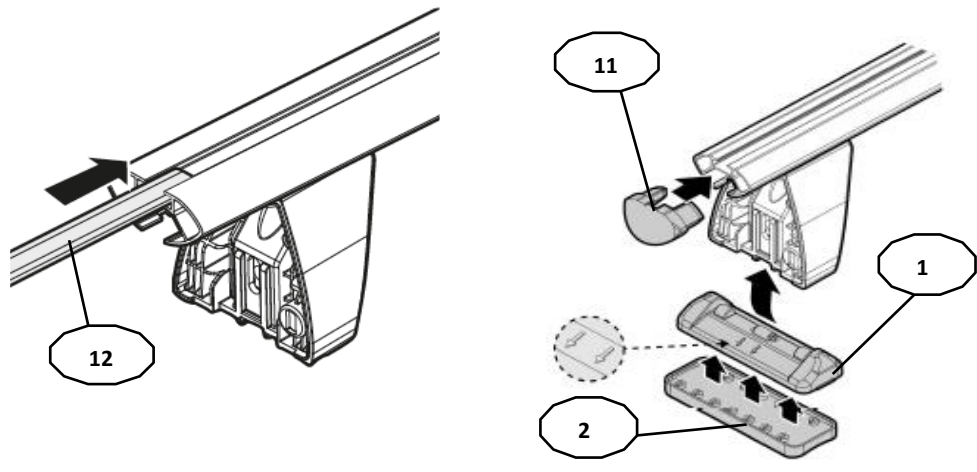
**2**





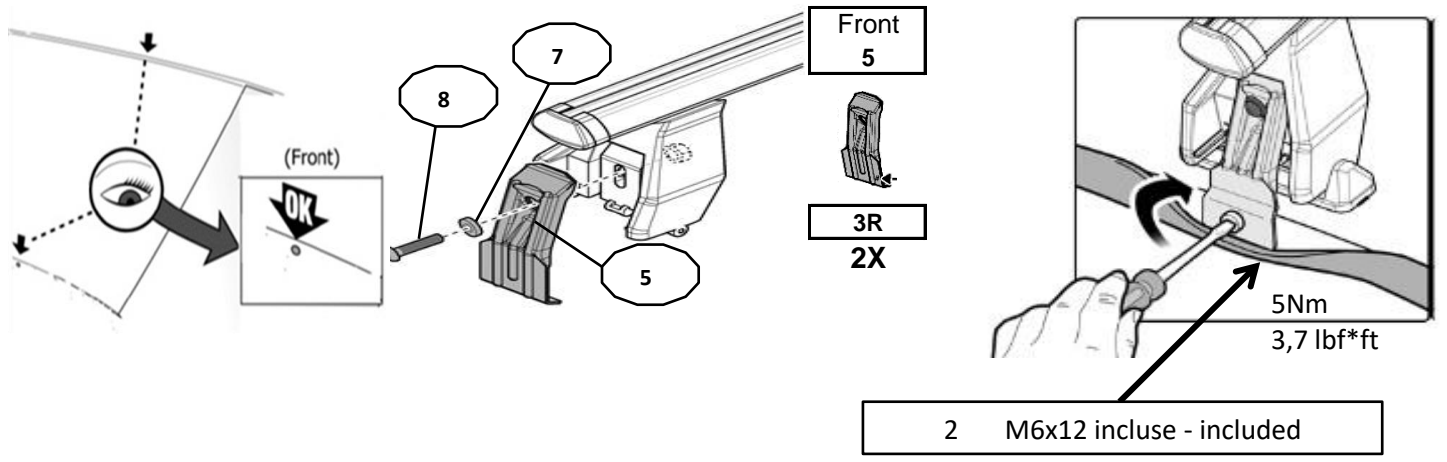
**3**

**x4**



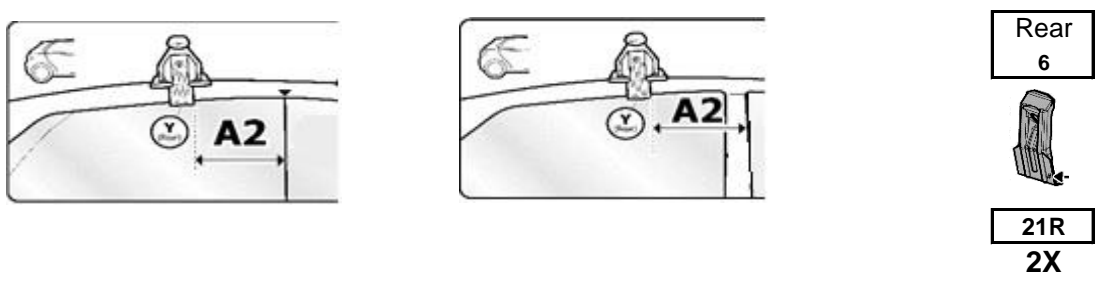
**4**

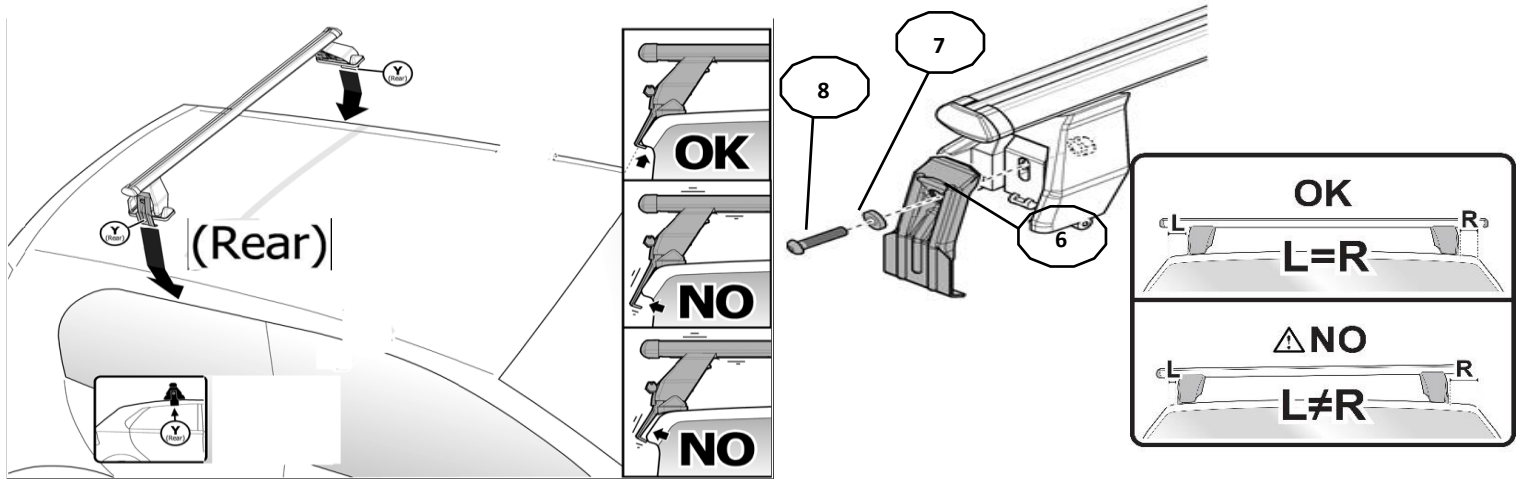
**FRONT**



**4**

**REAR**

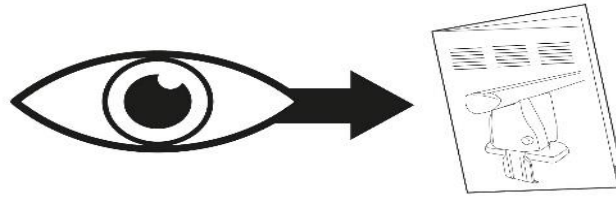




MANUFACTURER	MODEL CAR	DOORS	MODEL YEAR	A1	A2	A1	A2
				cm	cm	in	in
CADILLAC	XT5	5	17>	17	42	6,7	16,5
SEAT	Mii	5	12>21	X	43	X	16,9

X = predisposizione originale /original arrangement

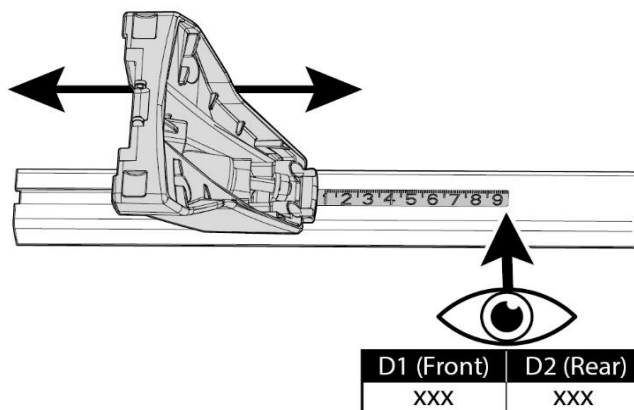
# 5



**MANUAL DELTA**

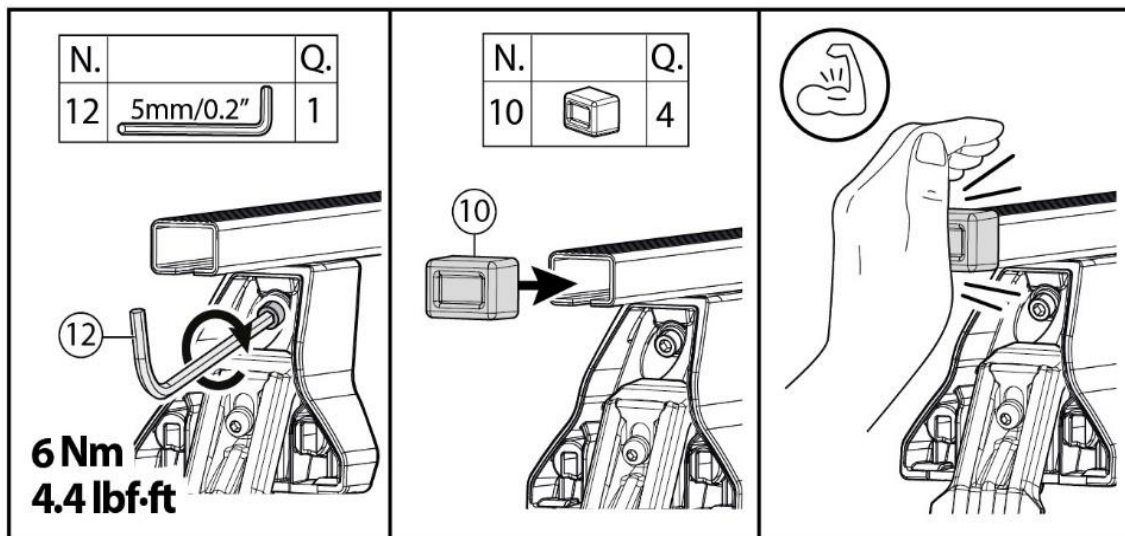
# FIXING KIT OMEGA

2

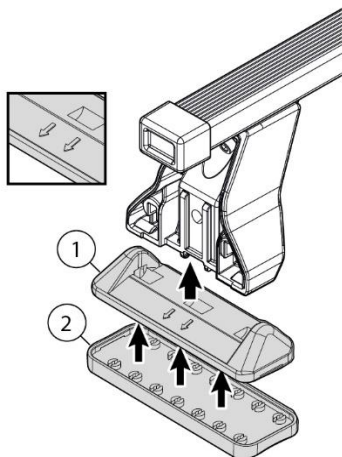


MANUFACTURER	MODEL CAR	DOORS	MODEL YEAR	D1	D2
CADILLAC	XT5	5	17>	6,8	6,1
SEAT	Mii	5	12>21	7,4	6,0

3

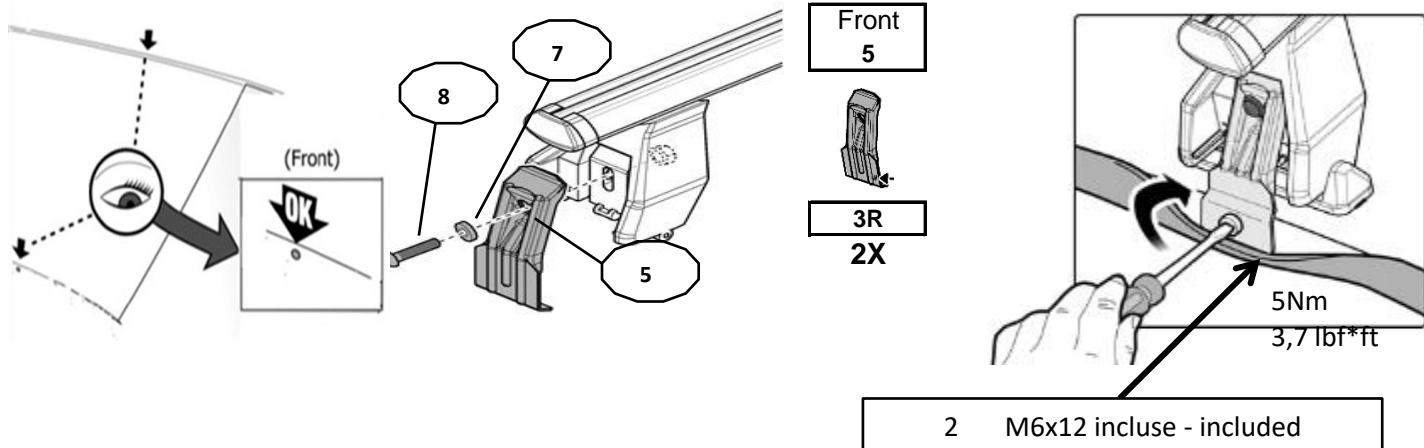


4



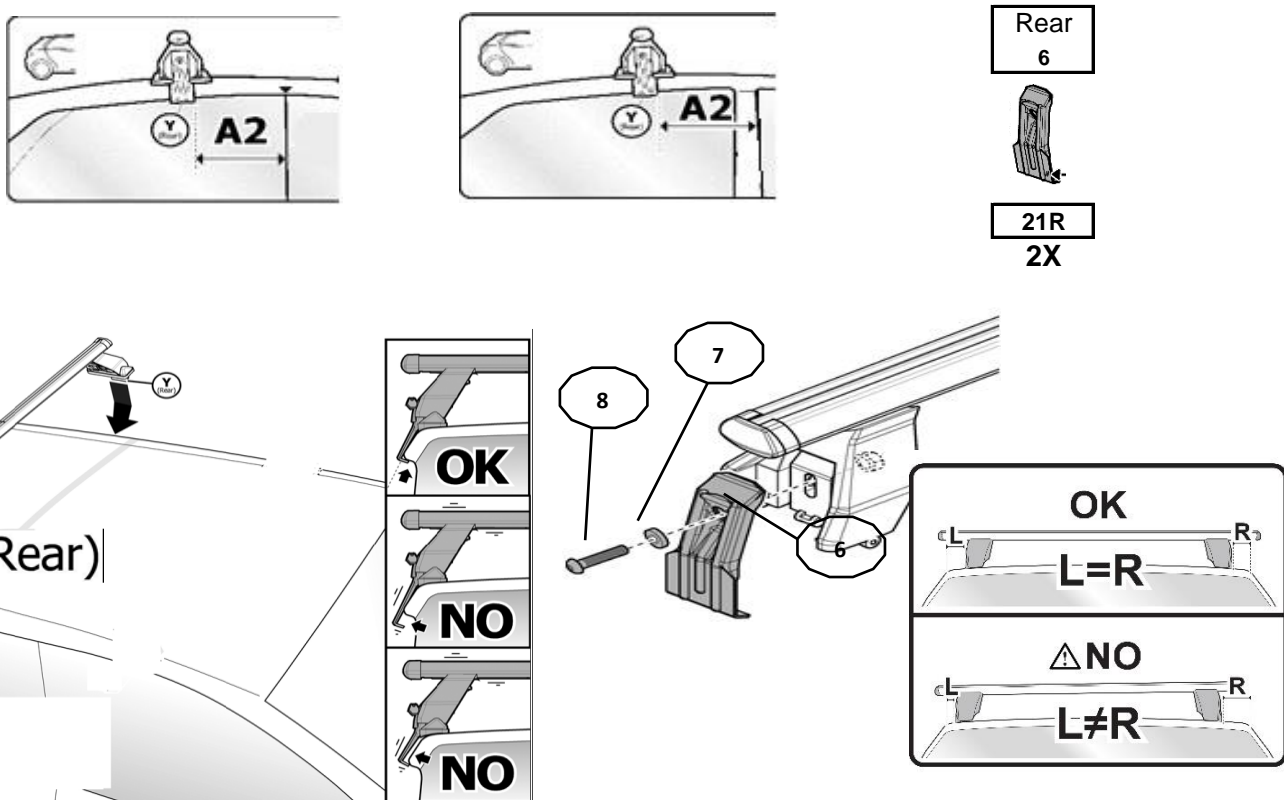
5

FRONT



5

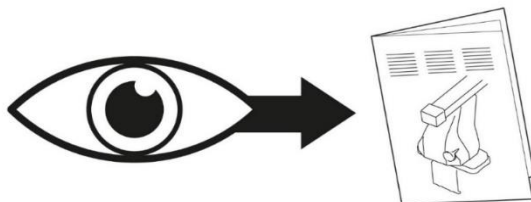
REAR



MANUFACTURER	MODEL CAR	DOORS	MODEL YEAR	A1	A2	A1	A2
				cm	cm	in	in
CADILLAC	XT5	5	17>	17	42	6,7	16,5
SEAT	Mii	5	12>21	X	43	X	16,9

X = predisposizione originale /original arrangement

6



MANUAL OMEGA

NOTE:

---

---

---

---







|



