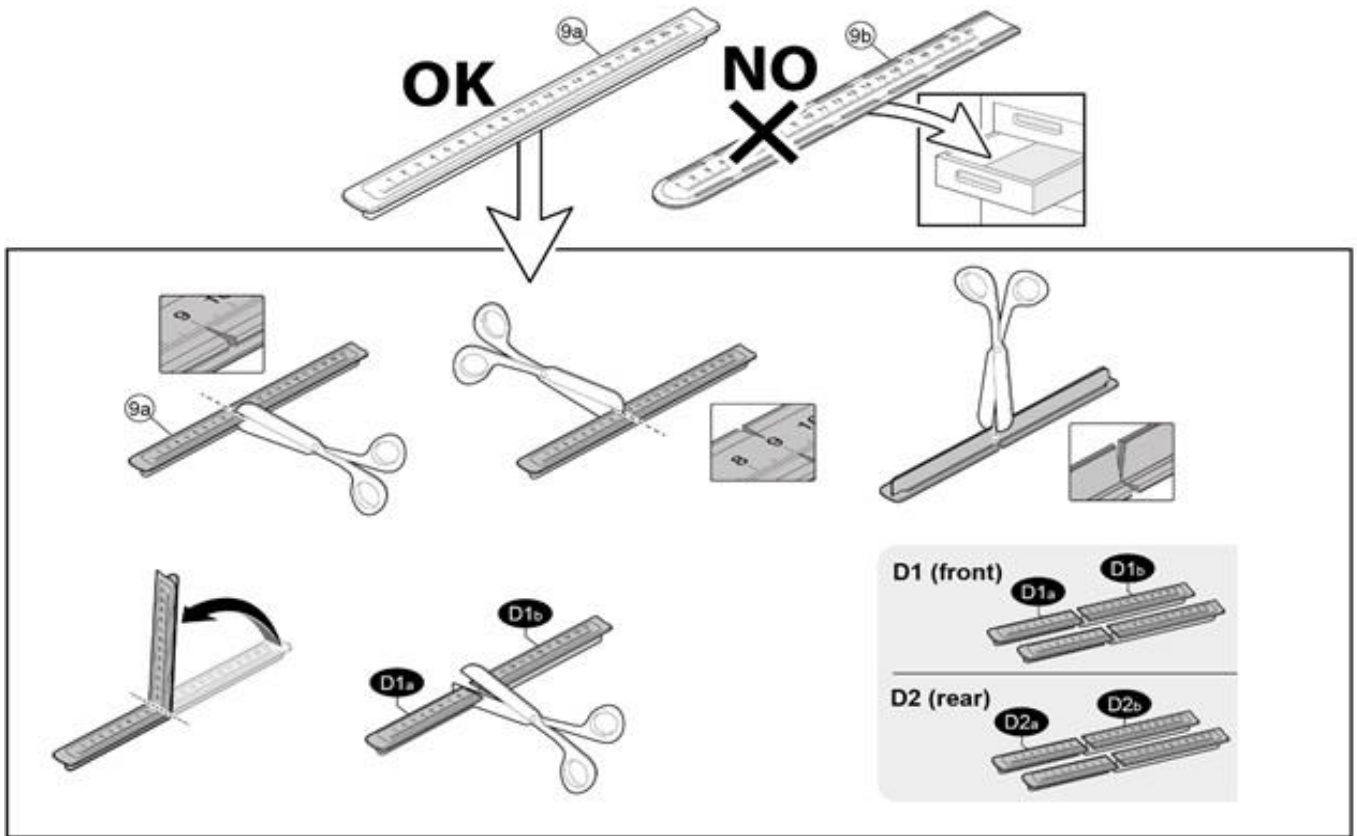


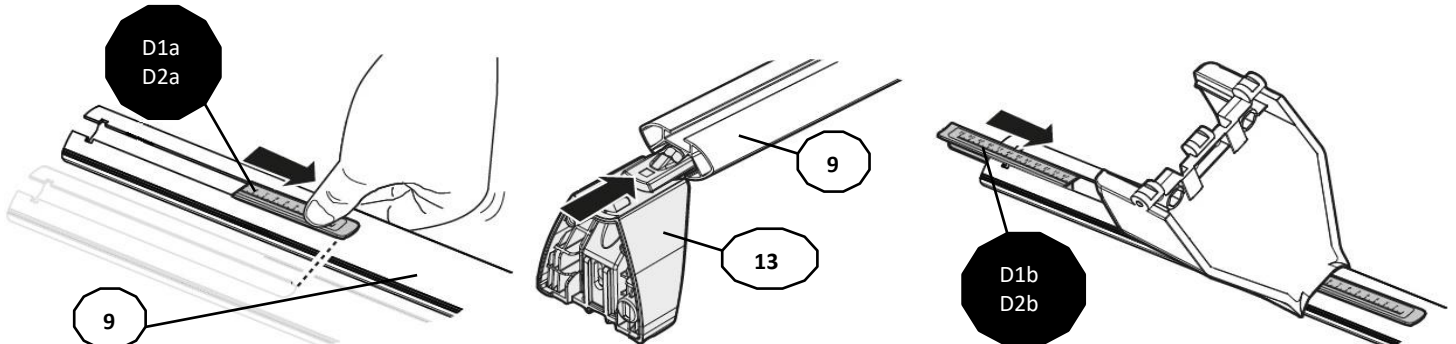
## FIXING KIT DELTA

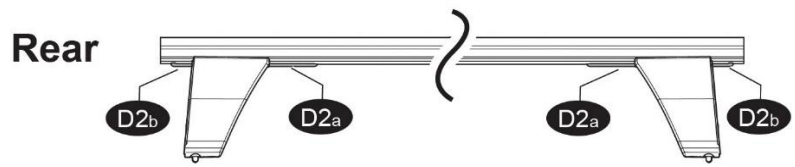
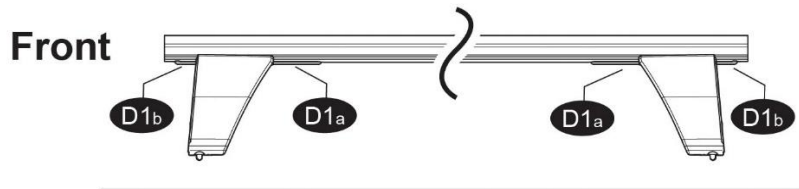
### 1



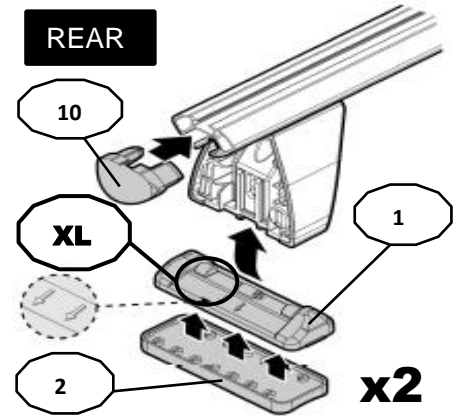
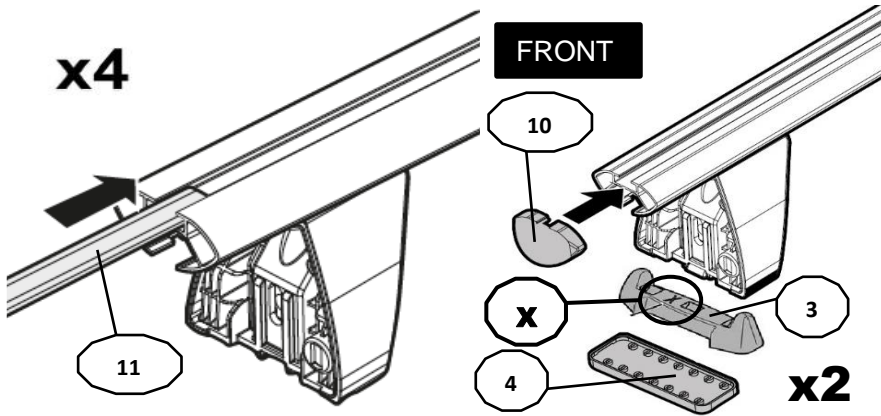
MANUFACTURER	MODEL CAR	DOORS	MODEL YEAR	D1	D2
LANCIA	Y	3	95>03	9,9	12,0

### 2



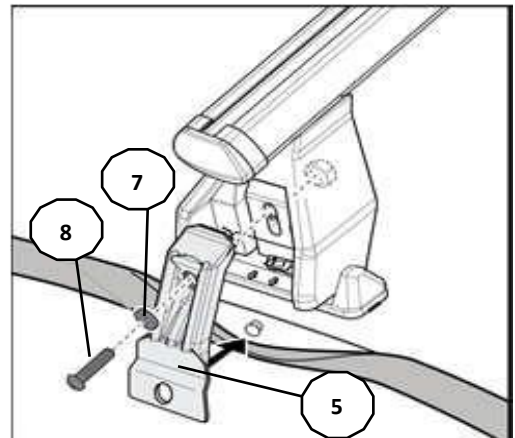
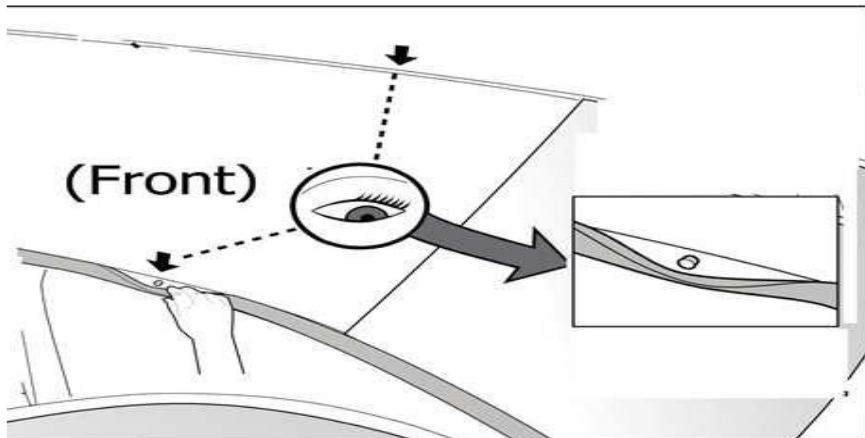


**3**



**4**

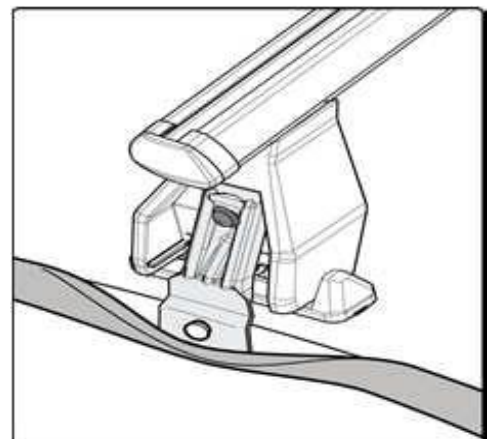
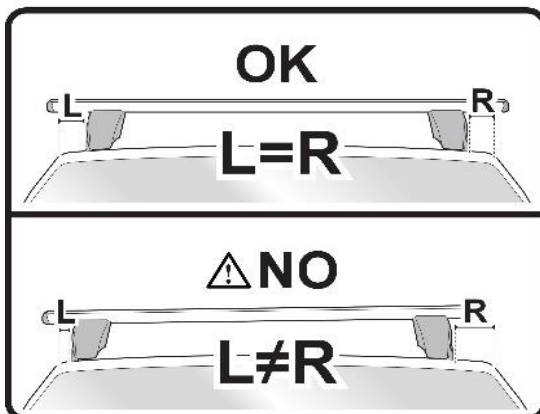
**FRONT**

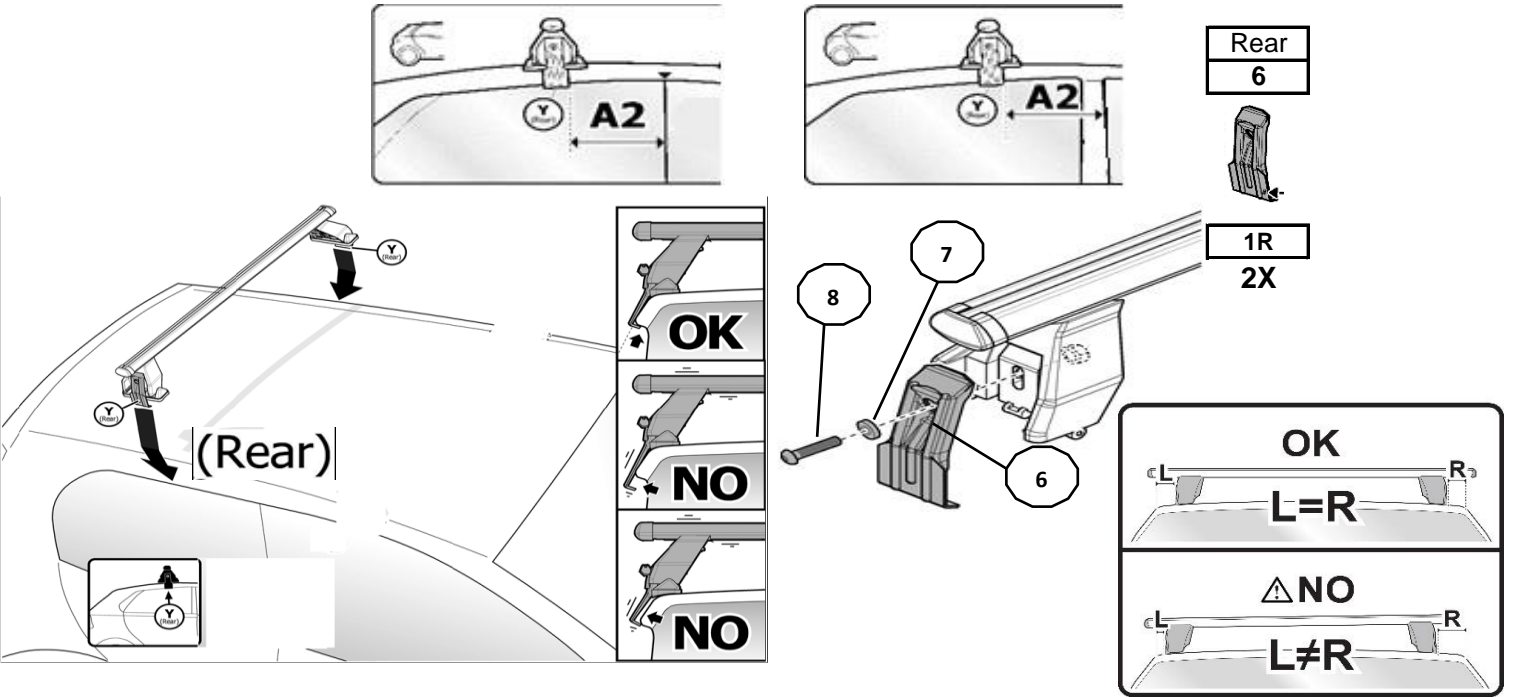


Front  
5



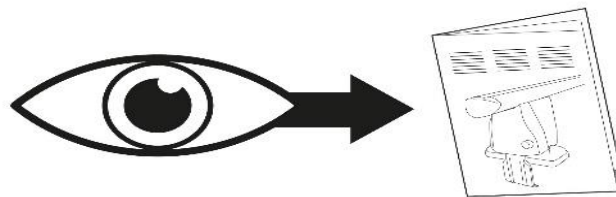
6  
2X





MANUFACTURER	MODEL CAR	DOORS	MODEL YEAR	A1	A2	A1	A2
				cm	cm	in	in
LANCIA	Y	3	95>03		X		X

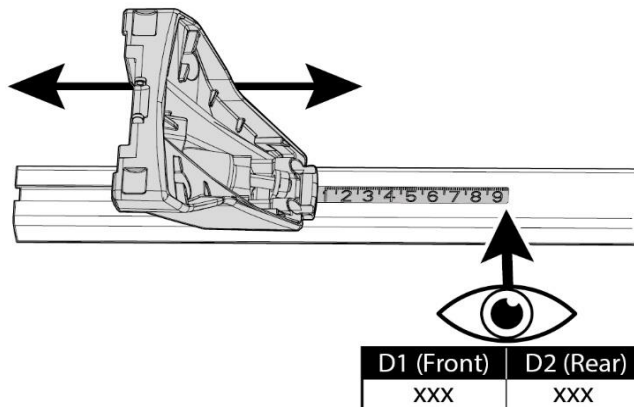
X = predisposizione originale /original arrangement



**MANUAL DELTA**

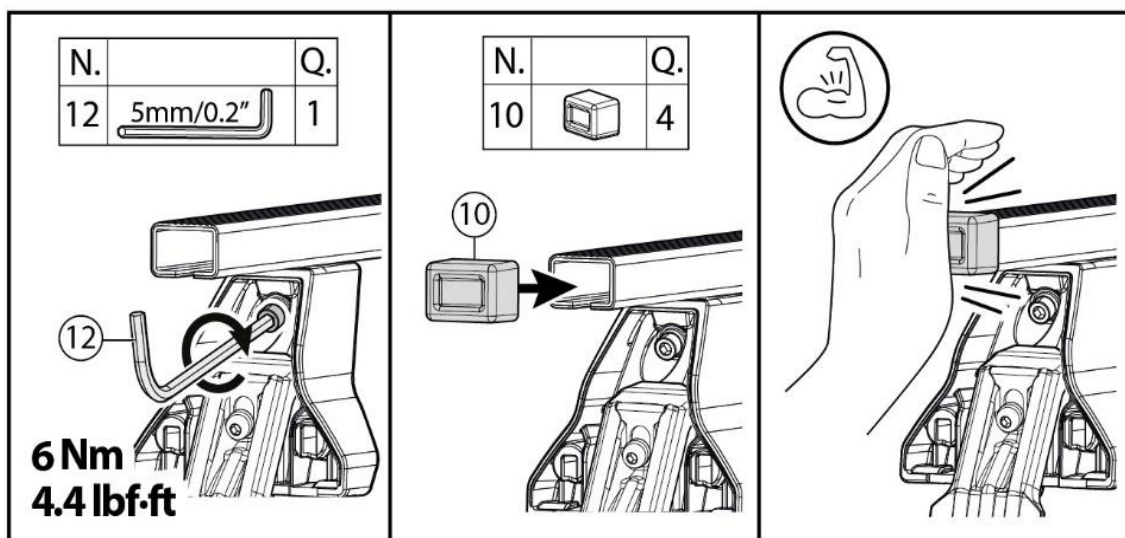
# FIXING KIT OMEGA

2

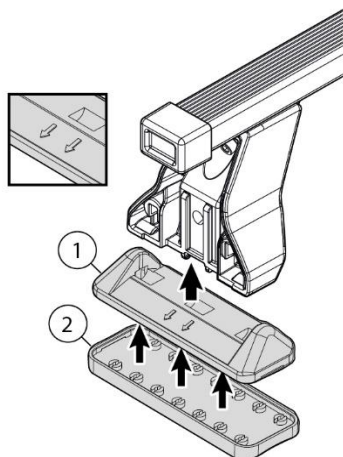


MANUFACTURER	MODEL CAR	DOORS	MODEL YEAR	D1	D2
LANCIA	Y	3	95>03	9,9	12,0

3

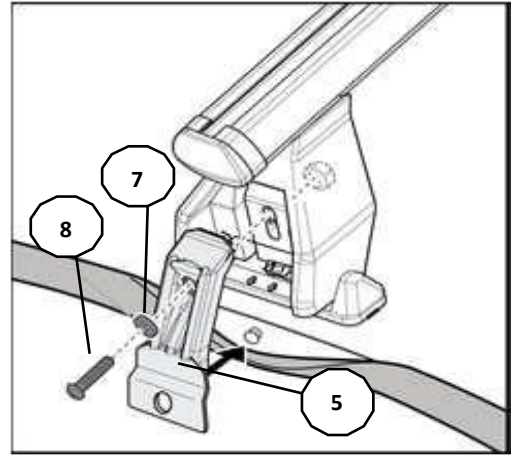
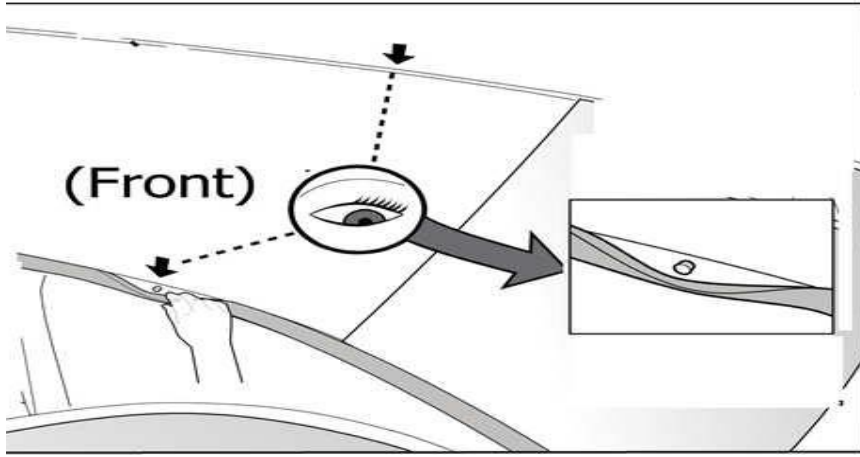


4





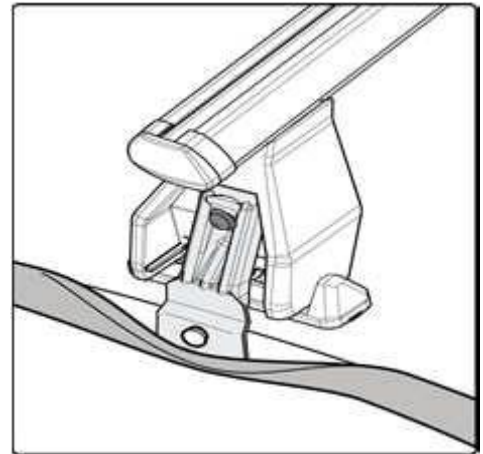
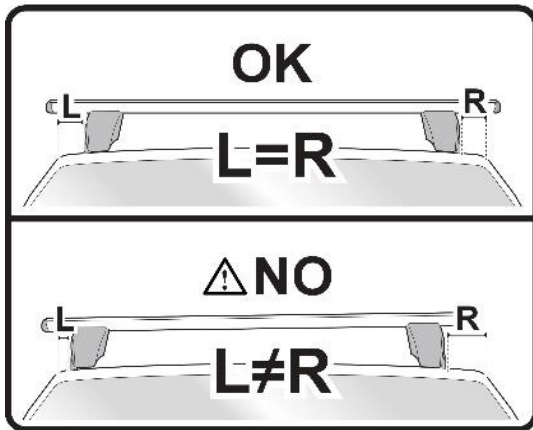
FRONT



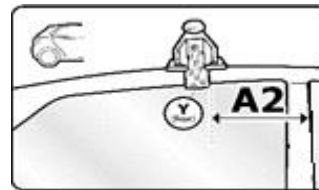
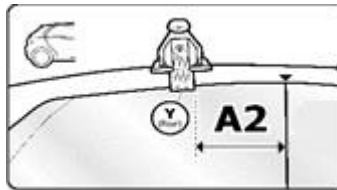
Front  
5



6  
2X



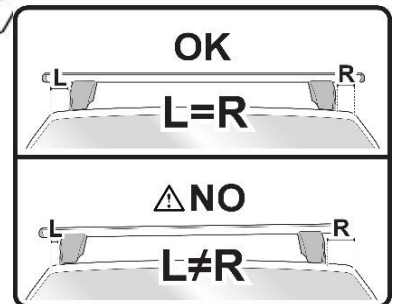
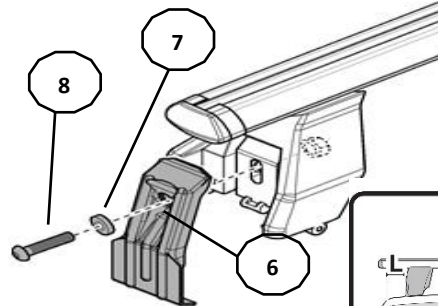
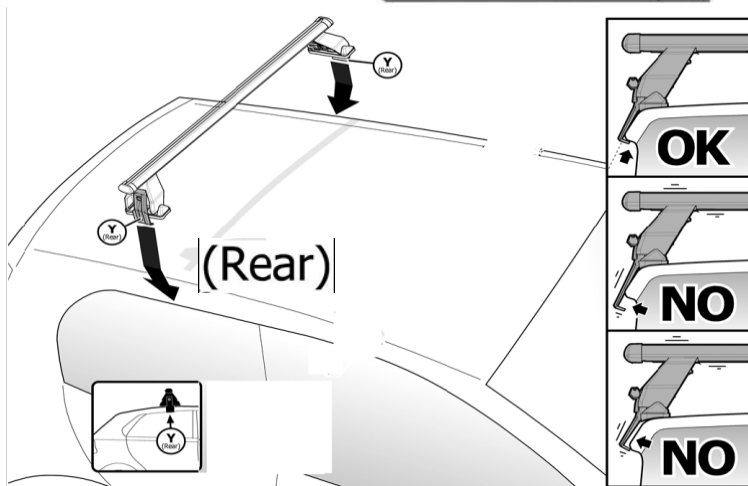
REAR



Rear  
6

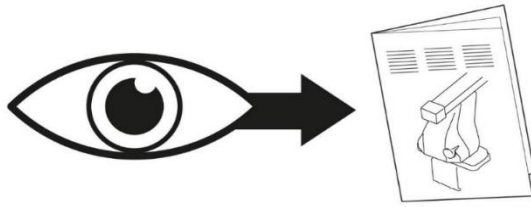


1R  
2X



MANUFACTURER	MODEL CAR	DOORS	MODEL YEAR	A1 cm	A2 cm	A1 in	A2 in
LANCIA	Y	3	95>03		X		X

X = predisposizione originale /original arrangement



**MANUAL OMEGA**

NOTE:

---

---

---

---