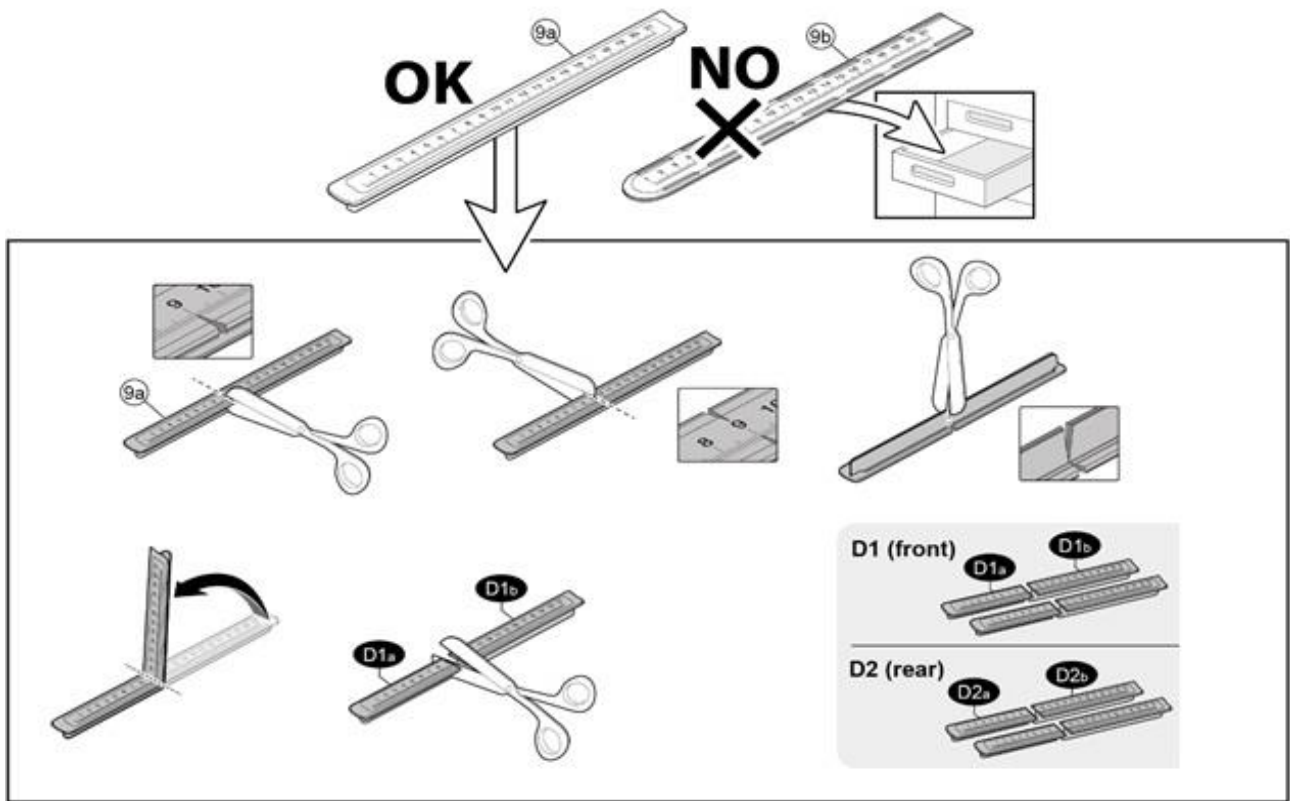


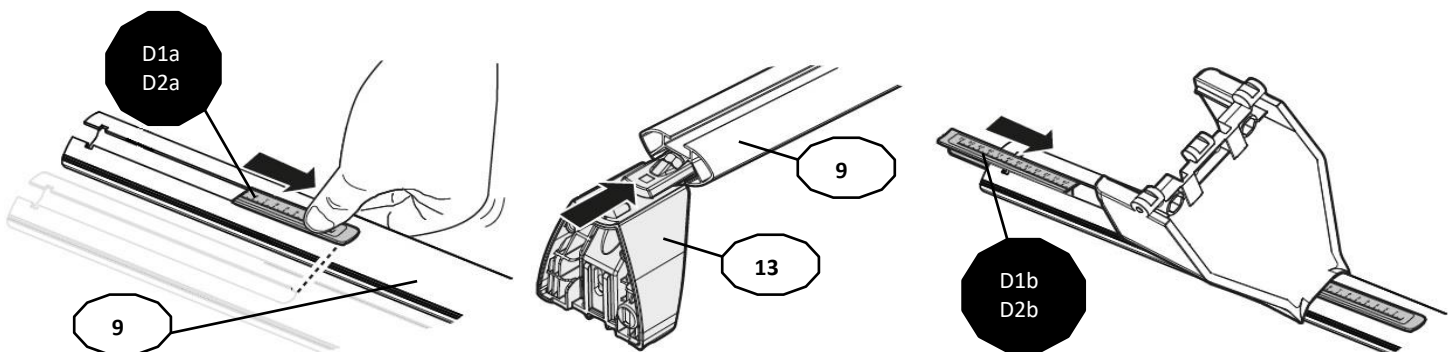
## FIXING KIT DELTA

### 1

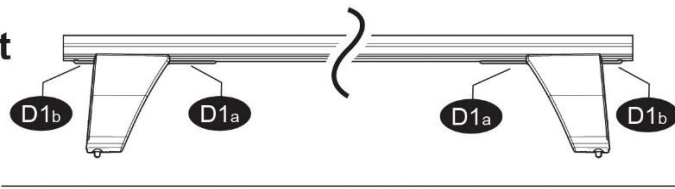


MANUFACTURER	MODEL CAR	DOORS	MODEL YEAR	D1	D2
SUZUKI	ERTIGA	5	18>	11,5	13,0

### 2



Front

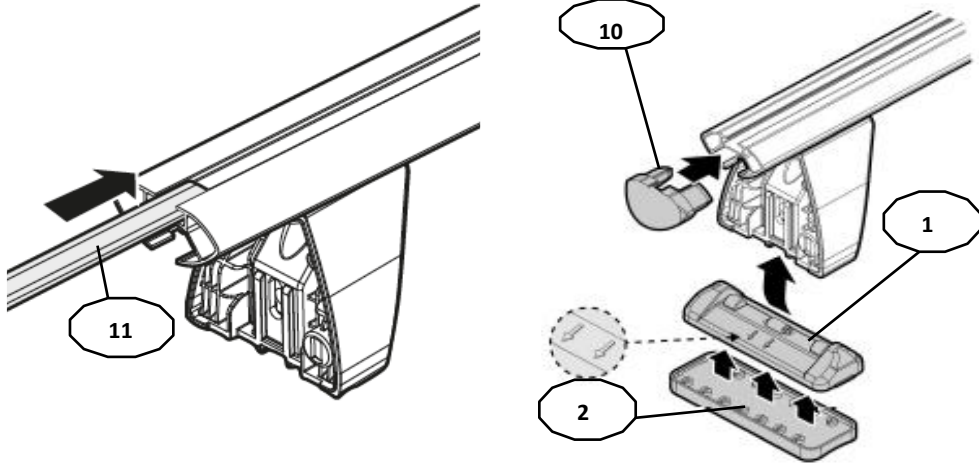


Rear

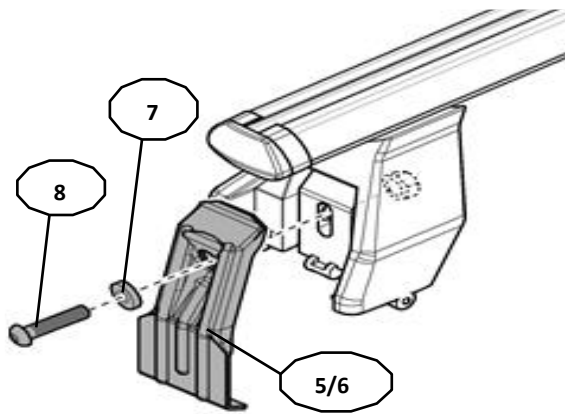


3

x4



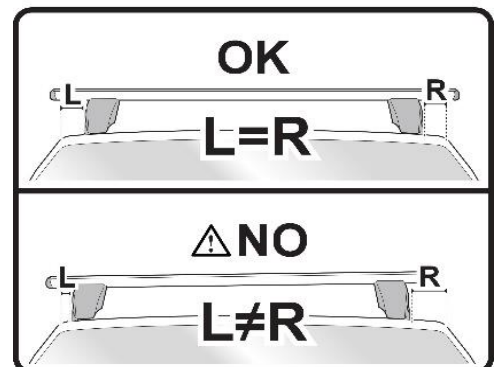
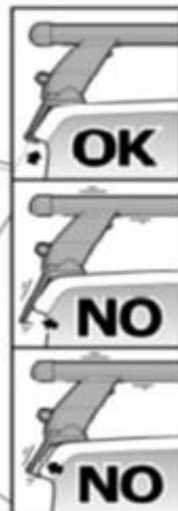
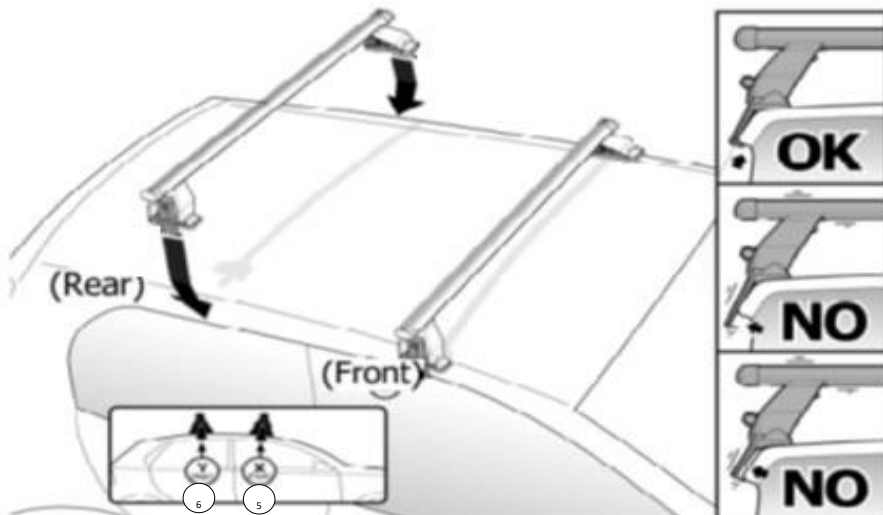
4

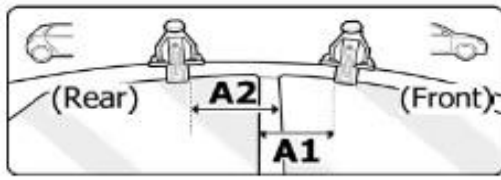


Front	Rear
5	6

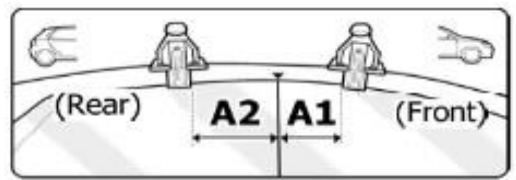


15	26
2X	2X





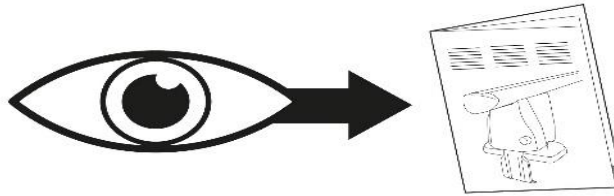
OR



MANUFACTURER	MODEL CAR	DOORS	MODEL YEAR	A1	A2	A1	A2
				cm	cm	in	in
SUZUKI	ERTIGA	5	18>	20	50	7,9	19,7

X = predisposizione originale /original arrangement

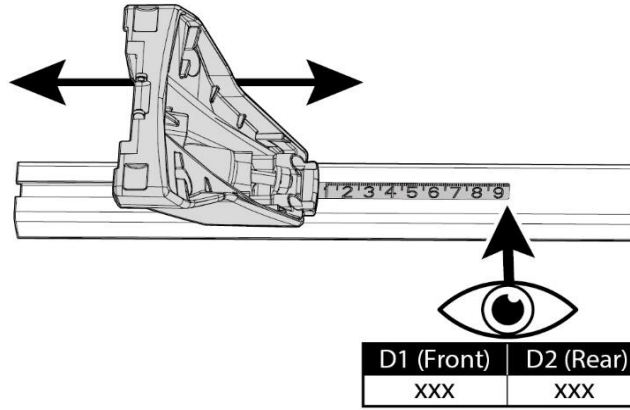
**5**



**MANUAL DELTA**

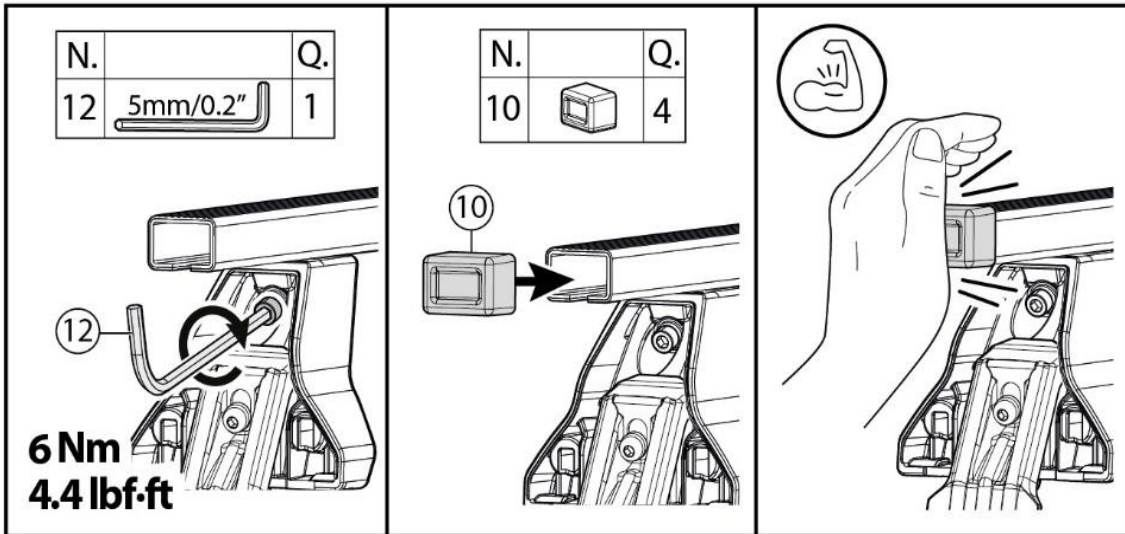
# FIXING KIT OMEGA

2

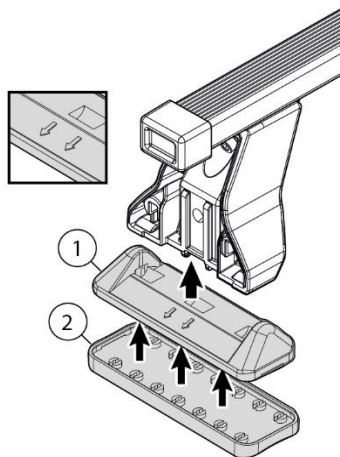


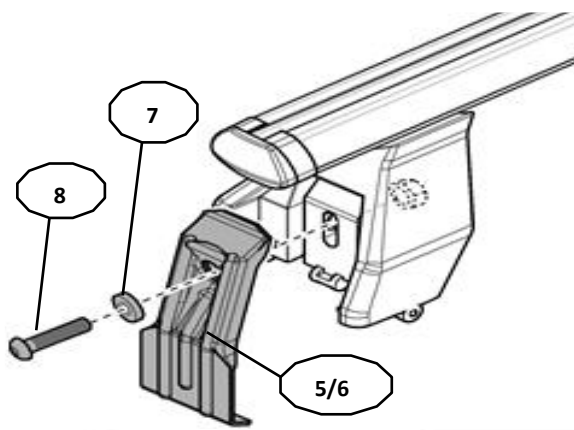
MANUFACTURER	MODEL CAR	DOORS	MODEL YEAR	D1	D2
SUZUKI	ERTIGA	5	18>	11,5	13,0

3

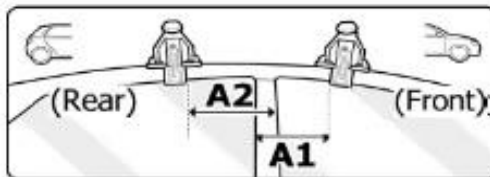
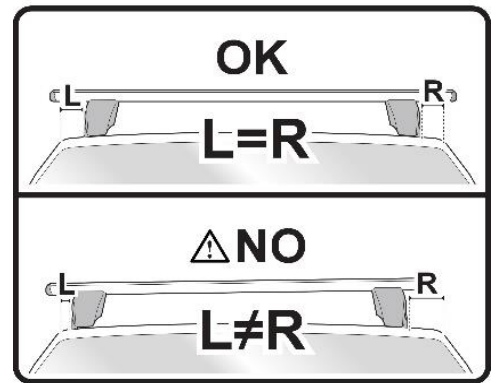
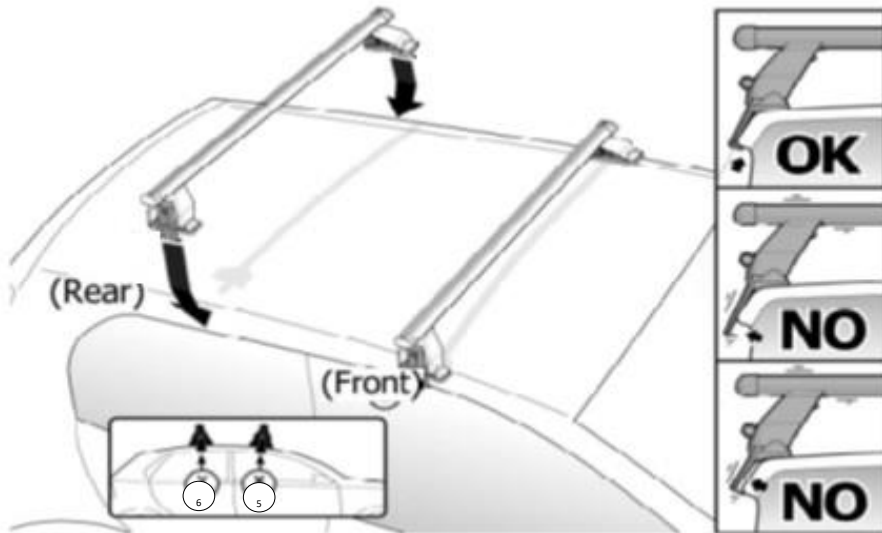


4

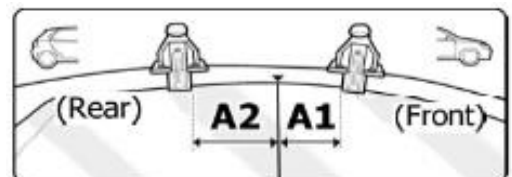




Front 5	Rear 6
15 2X	26 2X

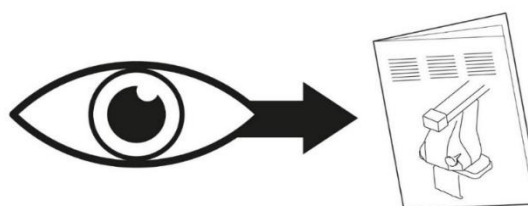


OR



MANUFACTURER	MODEL CAR	DOORS	MODEL YEAR	A1	A2	A1	A2
				cm	cm	in	in
SUZUKI	ERTIGA	5	18>	20	50	7,9	19,7

X = predisposizione originale /original arrangement



MANUAL OMEGA

NOTE:

---

---

---

---