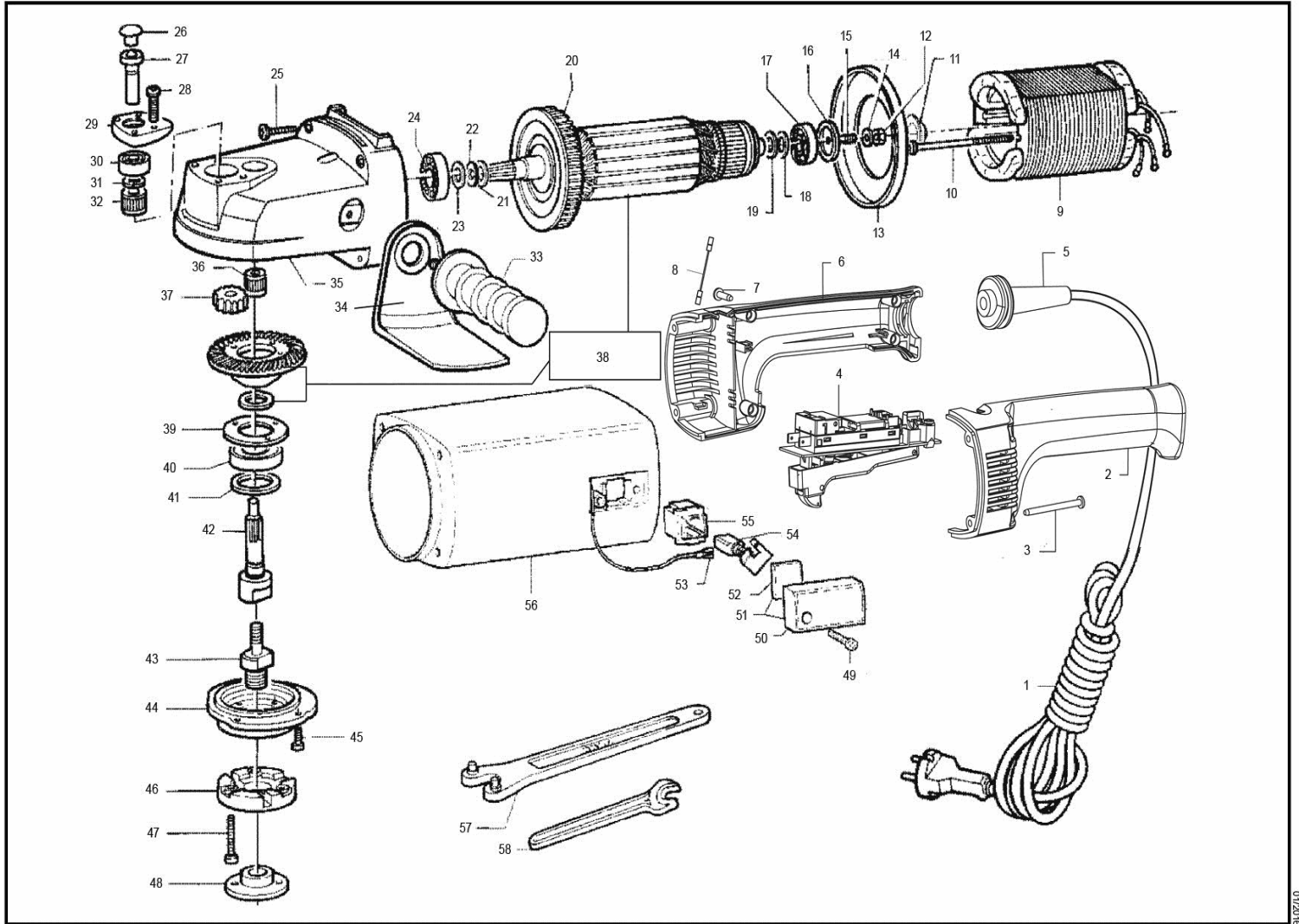


LEVIGATRICE/LUCIDATRICE A 2 VELOCITA'  
TWO SPEED SANDER/POLISHER

LH232N



ID	ITEM	DESCRIPTION
001	9C2X1,0N485FOR	CAVO 2x1 (spina Schuko d4,8) mt.5 H05RN-F con forchetta
001	9C2X1,0NGB4FOR	CABLE 2X1 (plug UK) with fork H07RN-F CENTRAL METAL PLUG
001	9C2X1,0R404FOR	CABLE 2X1 (plug D4) H07RN-F mt.4 with fork (only Swiss)
002	441.239	HALF-HANDLE LEFT
003	9.651	SCREW 4,2x50 ( 8x2" ) T.C.C.
004	45.00.040	SWITCH 12+
005	42.290	CABLE SLEEVE SS31TE
006	44.239	HALF-HANDLE RIGHT
007	9.688	SCREW 4,2x16 T.C.C. (8x5/8)
008	77.239	CABLE (2 faston fem. 6,3mm + faston bag
009	2.42/240	STATOR (V.240)
009	2.42/220	STATOR (V.220)
010	9.652	SCREW 4,8x57 (10x2"1/4)T.C.C.
011	319.092	MOTOR BODY NUT COVER
012	84.91	NUT M8 GALVANIZE uni 5589
013	73.038	AIR BULKHEAD
014	9.349	TOOTHED WASHER
015	9.698	GRAIN 8x14
016	341.40	THRUST WASHER
017	9.17/10	BEARING 629 ZZ-C3
018	9.304	STEEL WASHER d15 x 9,1 s 0,1
019	9.320	STEEL WASHER d23 x 9,1 s 0,3
020	15.092	FAN 40 BLADES
021	9.309	STEEL WASHER d22 x 15,2 s 0,3
022	9.103	SEEGER d 12 TIPO E DIN 471 CR3 PHOSPHATE
023	541.40	SPACER d 22 x 15,2 s 1
024	9.09/10	BEARING 6002 ZZ-C3
025	9.675	SCREW M5 x 16 T.G.S. HEAD d6
026	9.1462	PLUG FOR SECONDARY SPINDLE
027	561.44	SECONDARY SPINDLE
028	9.614	SCRE M4 x 12 T.C.C. d7,7 BRN 8.8
029	362.44	FLANGE
030	9.27/10	BEARING 6001 ZZ-C3
031	9.102	SEEGER d 12 TIPO E DIN 471 CR3 PHOSPHATE
032	9.53/10	ROLLING BEARING IKO DNK 12/12
033	81.326	COMPLETE SIDE HANDLE WITHOUT SPANNER
034	93.098	GUARD FOR SIDE HANDLE LH22E
035	32.099	GEAR BOX
036	9.62	THRUST BEARING AXK1528
037	56.44	SECONDARY WHEEL Z22-IN AGV
038	1.098/220/C	ROTOR (V.220-240V) WITH GEAR AND SPACER
039	351.038	BEARING LOCKING FLANGE
040	9.26/10	BEARING 6202 ZZ-C3
041	333.038	d 28x15 s 0,3 STEEL WASHER
042	51.099	SPINDLE SHAFT
043	74.44	REDUCTION PIN
044	331.85	FLANGE
045	9.616	SCREW M5 x 14 TC + C/D STEEL 8.8 T.P.
046	336.049	PROTECTION FLANGE
047	9.620	SCREW M4 x 30 T.C.C 8G BURNISHED
048	924.24	CONIC NUT FOR VULKOFIX
049	9.614	SCRE M4 x 12 T.C.C. d7,7 BRN 8.8
050	48.048	BRUSH COVER
051	481.048	BRUSH COVER
052	48.82	RECTANGULAR PLATE FIB. 16,5x13,5 s1,5
053	9.1346	FASTON FEMALE 2,8x0,8



**R.U.P.E.S. spa**  
**Realizzazione Utensili**  
**Pneumatici Elettrici Speciali**  
sede operativa: via Marconi, 3A  
20080 Vermezzo (MI) - Italy  
tel.: ++39.02.946941  
fax.: ++39.02.94941040  
e-mail: info\_rupes@rupes.it

web: www.rupes.com  
cod.fisc. e part. IVA: IT 05094230157  
cap.sociale: euro 2.100.000 int.vers.  
REA: MI-1163819  
Reg. Imprese n. 0509430157  
sede legale: v.le Bianca Maria, 13 - Milano  
REG. RAEE: IT08020000000741  
REG. PILE: IT09060P00000205

ID	ITEM	DESCRIPTION
054	47.70/10	10 BRUSHES BLISTER LH-GL-SM
055	46.093	BRUSH HOLDER
056	31.093	GL61-GL81 MOTOR BODY
057	836.24	SPANNER
058	83.13	SPANNER mm 17