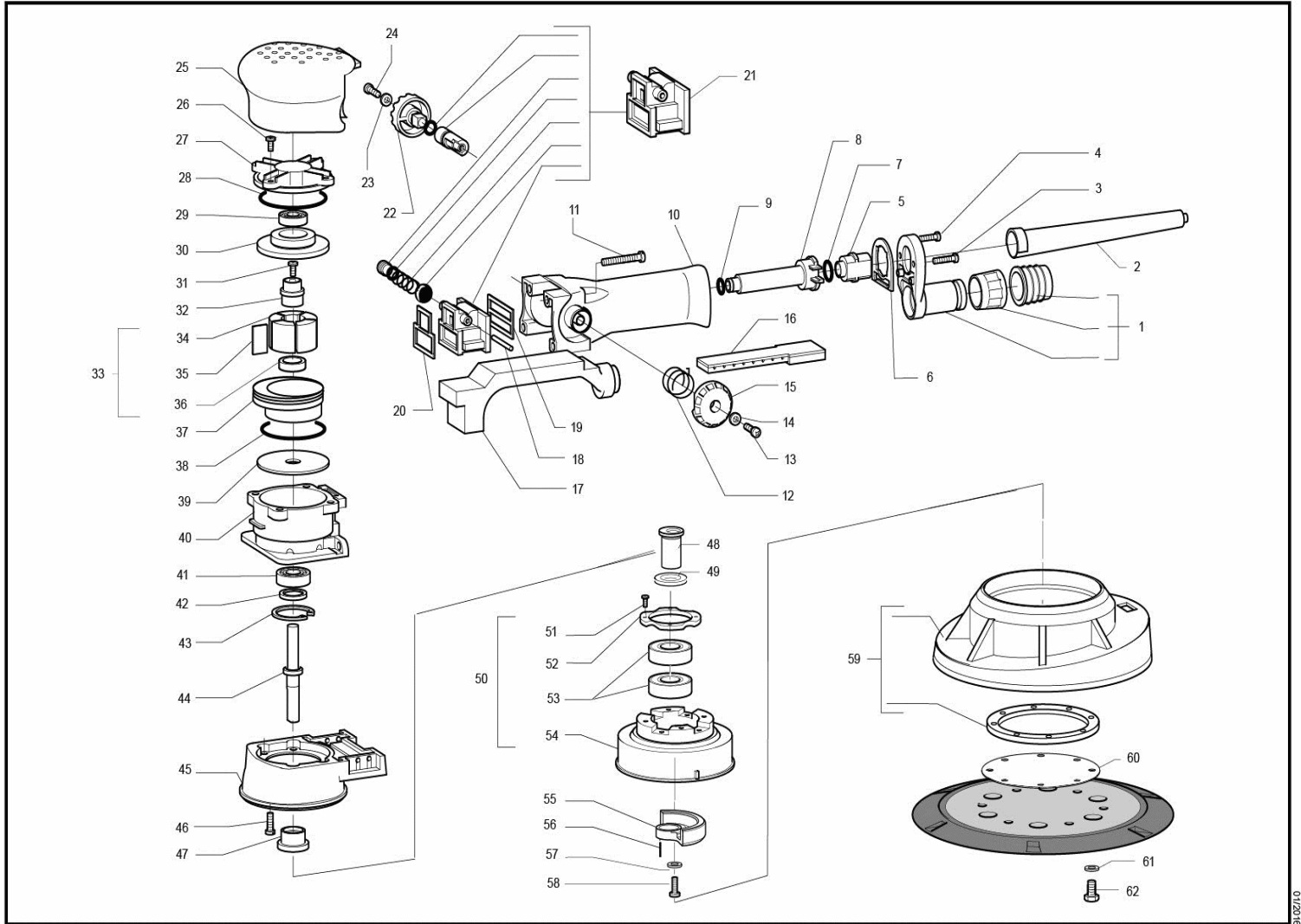


LEVIGATRICE ROTORBITALE PNEUMATICA CON ASPIRAZIONE
 PNEUMATIC RANDOM-ORBITAL SANDER WITH DUST EXTRACTION

TA 562AN



ID	ITEM	DESCRIPTION
001	42.150/C	COMPLETE END CONNECTION
002	82.150	EXHAUST PIPE
003	9.708	SCREW 4 x25 TGS BURNISHED
004	9.709	SCREW 4 x30 TGS BURNISHED
005	43.150/C	AIR ENTRY CONNECTOR
006	421.150	TK251A TERMINAL GASKET
007	9.2006	O-RING 2050
008	46.150	INSERT HANDLE
009	9.2001	O-RING 2031
010	44.150/C	LONG HANDLE+INSERT
011	9.667	SCREW M4 x 40 TC BURNISHED
012	381.150	STARTING SPRING
013	9.624	SCREW M4 x 10 T.C.C. BURNISHED
014	9.346	STEEL WASHER SL42AE 4x10x0,5
015	38.150	SWITCH-ON KNOB TA551
016	661.150	SILENCER
017	67.174	SUCTION PIPE BLACK
018	9.2008	ROLL d 3 x23,8
019	692.150	BACK GASKET
020	691.150	FRONT GASKET TK251A
021	29.150/C	VALVE BODY
022	30.150	REGULATOR KNOB
023	9.346	STEEL WASHER SL42AE 4x10x0,5
024	9.619	SCREW M4 x 23 T.C.C.BURNISHED
025	81.150	CAP
026	9.614	SCRE M4 x 12 T.C.C. d7,7 BRN 8.8
027	33.150	COVER
028	9.2005	O-RING 3218
029	9.46/10	BEARING 6001 ZZ C3
030	261.150	UPPER HEAD
031	9.633	SCREWM5 x 20 T.B.E. 12K BURNISHED
032	566.150	LOCKING SHAFT
033	1.150/C	ROTOR
034	1.150	VEDI 1.150/C+++++++ROTORE TA551A-TK251A
035	18.152/C6/10	VANE KLFF/C6 SLP41A/TA551A/TA562AN 10pcs.
036	54.150	SPACER
037	2.150	RIGHT CYLINDER
038	9.2005	O-RING 3218
039	28.150	LOWER DISK
040	312.150	TA551A MOTOR BODY
041	9.31/10	BEARING 6201 ZZ C2
042	9.314	STEEL WASHER d31,9 x 26 s 0,1
043	9.124	SEEGER d.32 for inner
044	51.185	ROTOR SHAFT
045	36.185	FLANGE
046	9.6154	SCREW M4 x 16 ACC.8.8 T.CROSS D.10 BRU.
047	54.185	SPACER FOR CUP
048	571.279	ECCENTRIC EK200
049	70.279	d29 x 22,5 s1 FELT WASHER
050	332.186/C	PADS HOLDER CUP
051	9.6154	SCREW M4 x 16 ACC.8.8 T.CROSS D.10 BRU.
052	35.155	RING NUT LOCKING BEARING
053	9.179/10	BEARING NSK 6203 DDW1 CM D EA3 S6
054	332.186	PADS HOLDER CUP
055	57.187	BRASS ORBITAL COUNTERWEIGHT
056	9.518	ELASTIC PLUG d 3,5x8 DIN 1481

ID	ITEM	DESCRIPTION
057	9.251	STEEL WASHER d 9 x 5,4 s 1,8 autobl. NL5D AK200
058	9.676	SCREW M5 x 18 T.C.C. BURNISHED
059	652.090/C	VACUUM SHROUD
060	68.279/HT	GASKET
061	9.251	STEEL WASHER d 9 x 5,4 s 1,8 autobl. NL5D AK200
062	9.616	SCREW M5 x 14 TC + C/D STEEL 8.8 T.P.